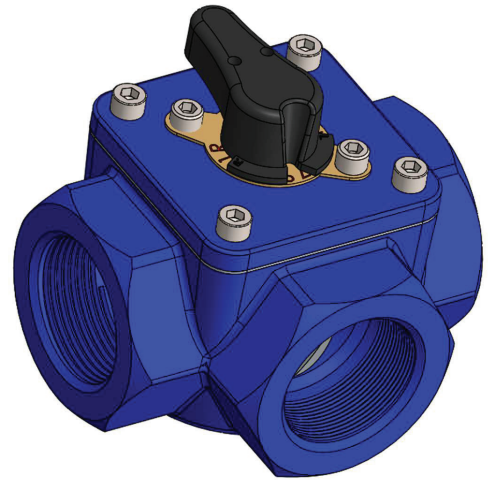


# 3-WAY ROTARY VALVE

## PN16 WITH ACUTATOR

### GENERAL

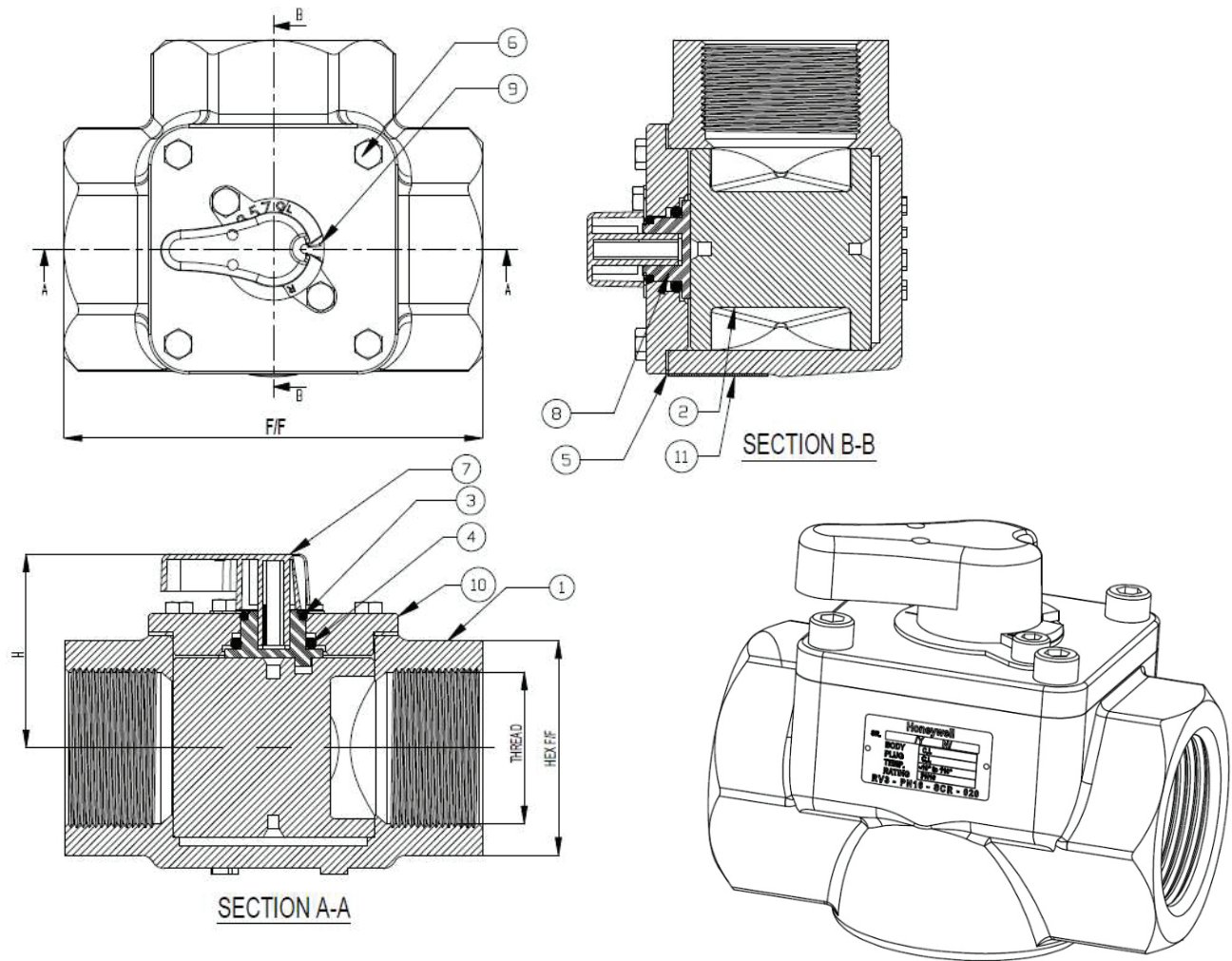
The 3-way rotary valve is specifically engineered for precise regulation of supply water temperature in heating and air conditioning systems. Its robust design guarantees durability and dependable performance over an extended service life.



### PRODUCT DATA

FEATURES	
SIZE	DN20-DN50
BODY	Cast Iron
PLUG	Cast iron (chrome plated)
CONNECTION TYPE	Screwed Screwed Ends as per IS 554/ BS 21 Screwed Female BSP Taper Thread.
LEAKAGE RATE	< 1% of KVS
ANGLE OF ROTATION	90°
SPECIFICATIONS	
MEDIUM	Water
MEDIUM TEMP	2°C to 110°C
NOMINAL PRESSURE	PN16

STANDARDS AND CODES	
DESIGN STD	MFG. STD
TESTING STD	API598
HYDROSTATIC TEST PRESSURE	
SHELL TEST	24 Bar
SEAT TEST	17.6 Bar
PAINT DETAIL	
POWDER COATING	DN20-50 (Body outside)
HOT DIP GALVANIZING	DN20 - 50 (Body inside)
POWDER COATING	DN20-50 (Plug)



## PART DESCRIPTIONS

SER NO.	PART NAME	MATERIAL	SPECIFICATION	QTY
1	BODY	CAST IRON	IS:210 Gr. FG260	1
2	PLUG	CAST IRON	IS:210 Gr. FG260 (CHROME PLATED)	1
3	O RING	EPDM	--	1
4	O RING -2	EPDM	--	1
5	GASKET	GRAPHITE	--	1
6	BOLT	SS	ASTM A276 Type-202	4
7	HANDLE	NYLON	NYLON 6	1
8	STEM CONNECTOR	NYLON	NYLON 6	1
9	INDICATOR PLATE	SS	AISI 304	1
10	COVER	CAST IRON	IS.210 Gr. FG260	1
11	NAME PLATE	ALUMINUM	--	1

## OUTSIDE DIMENSIONS (mm)

SIZE DN	F/F±2	HEX F/F	H±3	THREAD
20	85	41	42.5	R ¾"
25	105	46	52.5	R 1"
32	105	55	52.5	R 5/4"
40	120	65	60	R 1 1/2"
50	156	80	80	R 2"

## KVS SPECIFICATIONS

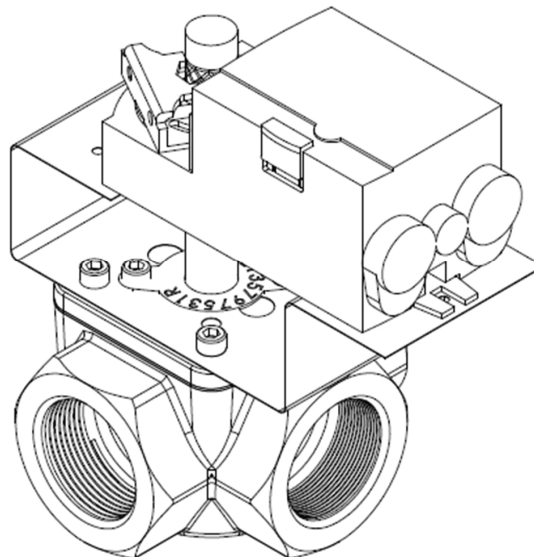
SIZE	KVS [m³/h]	Δp [Bar]
20	6.5	1
25	10.2	1
32	16.5	1
40	25.3	1
50	31	1

## PART DESCRIPTION

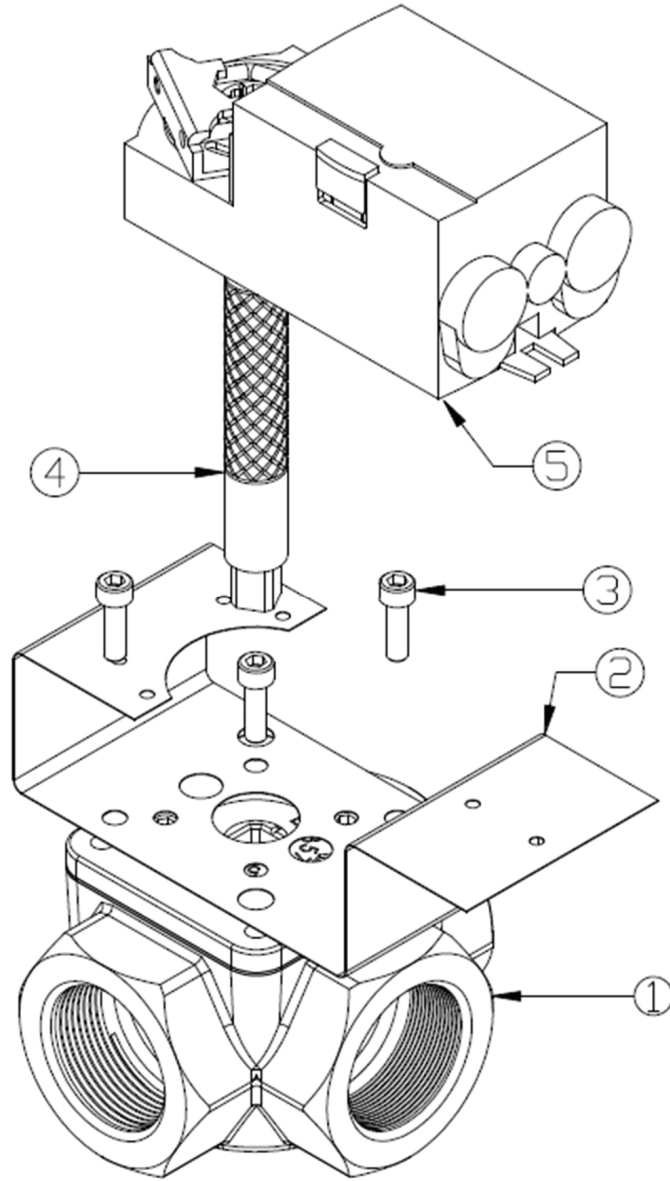
SKU <sub>s</sub>	DESCRIPTION	COMPATIBLE ACTUATOR MODEL
RV3-PN16-SCR-020	DN20 PN16 Screwed 3-way Rotary Valve	CN7510A2001
RV3-PN16-SCR-025	DN25 PN16 Screwed 3-way Rotary Valv	CN7510A2001
RV3-PN16-SCR-032	DN32 PN16 Screwed 3-way Rotary Valve	CN7510A2001
RV3-PN16-SCR-040	DN40 PN16 Screwed 3-way Rotary Valv	CN7510A2001
RV3-PN16-SCR-050	DN50 PN16 Screwed 3-way Rotary Valve	CN7510A2001

## MOUNTING DETAILS OF SUITABLE ACTUATORS:

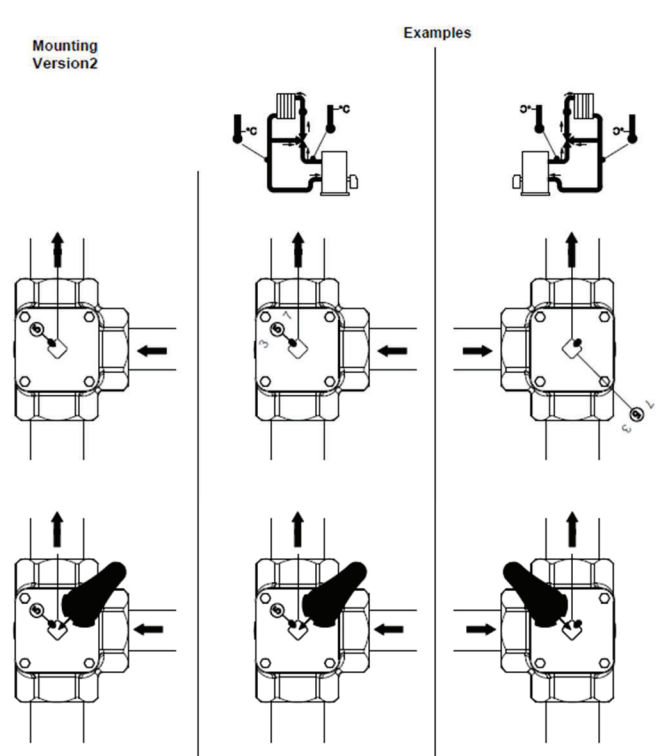
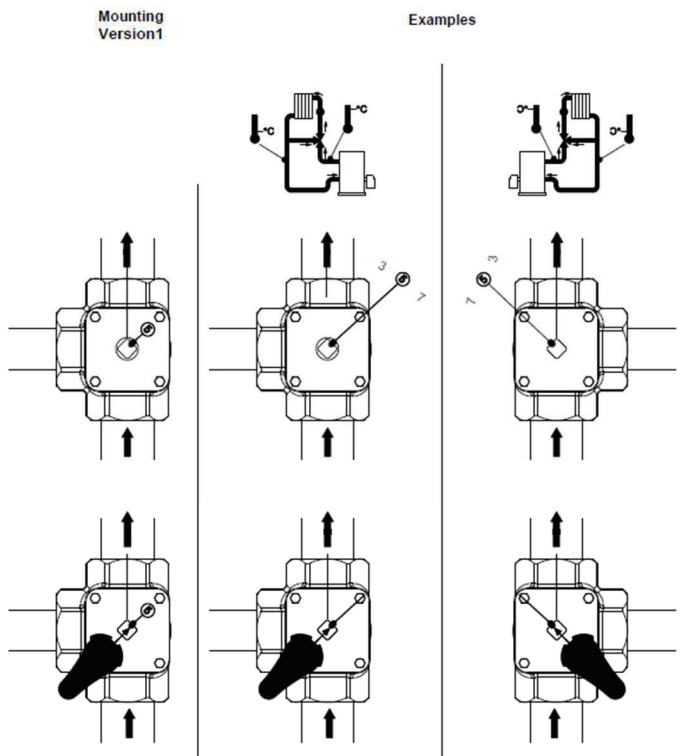
3-Way Rotary Valve PN16 with Actuator Assembly:



### 3-WAY ROTARY VALVE PN16 WITH ACTUATOR EXPLODED VIEW



SR NO.	PART NAME	MATERIAL	QTY
1	VALVE ASSEMBLY	AS PER BOM	1
2	LINKAGE	M.S (POWDER COATED)	1
3	BOLT	M.S (AUTO BLACK)	4
4	SHAFT	SS410	1
5	ACTUATOR	----	1



**For more information,**

<https://honeywellbuildings.in>

Tel: +91 124 4975000

Email: [BuildingAutomation.BMSIndia@honeywell.com](mailto:BuildingAutomation.BMSIndia@honeywell.com)

**Honeywell Building Automation**

Unitech Trade Center, 5th Floor, Sector-43,

Block C. Sushant Lok Phase - I.

Gurgaon - 122 002. Haryana India

<https://www.honeywellbuildings.in/>