

P8000 PRESSURE TRANSMITTER

- Applicable in gas & liquid media
- High accuracy
- Thermal compensation
- Compact construction
- Full Mis-wire protection between all signal and power lines
- Stainless steel Wetted part



SYSTEM OVERVIEW

The model P8000 HVAC pressure transmitters are ideal for sorts of general HVAC applications when considering performance, reliability, stability and compact size.

The output signal of the sensing bridge is converted to be a standardized current/voltage signal through surface mount technology circuit board. This high level signal output with considerably low noise system is packaged in a rugged stainless steel housing to resist the harsh and critical conditions. Each transmitter is inspected and calibrated 100% to ensure its quality.

APPLICATIONS

- HVAC Systems
- Hydraulic Systems
- Pneumatic Systems
- Compressor & Pump control
- Medical care appliance

Technical Specification

Performance and Characteristics

| | |
|---------------------|-----------------------|
| Accuracy | $\leq \pm 0.25\%FS^*$ |
| Zero Tolerance | $\pm 0.5\%FS$ |
| Span Tolerance | $\pm 0.5\%FS$ |
| Long term Stability | $\pm 0.2\%FS/Year$ |
| Thermal Effect | $0.015\%FS/^\circ C$ |

Environment Characteristics

| | |
|---------------------|-------------------------|
| Media Temp. Range | $-40 \sim +105^\circ C$ |
| Storage Temp. Range | $-40 \sim +105^\circ C$ |
| Compensated Range | $-40 \sim +105^\circ C$ |
| Weatherproof Rating | IP65 |

Electrical Data

| | |
|-------------------|--|
| Output Signal | 4-20mA / 0-10VDC |
| Power Requirement | 14-30VDC (0-10VDC) 8-24VDC (4-20mA) |
| Loop Current | Max 5.5mA (No load is ok on Voltage output) |
| Load Resistance | (Current output) (Supply voltage-8V)*50 Ohms |

Physical Characteristics

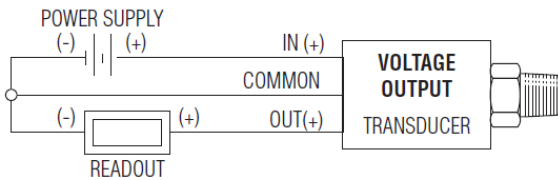
| | |
|----------------------|------------------------|
| Fitting Material | 304 Stainless steel |
| Sensing Element | 17-4PH Stainless steel |
| Pressure Fitting | G1/4 male |
| (Connection) | 1/4-18NPT Male |
| Electrical Connector | |

Note:

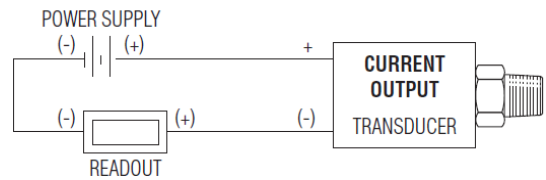
*: includes Non-linearity, Hysteresis & Repeatability

All wetted parts including fitting & sensor will be contacted with the media directly.

Voltage Wiring Diagram

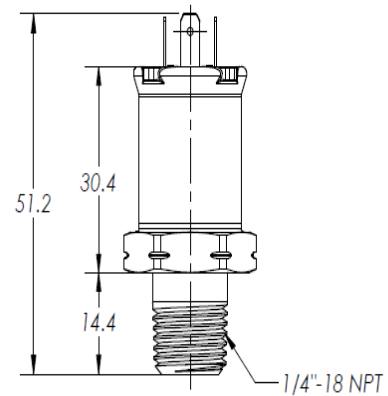
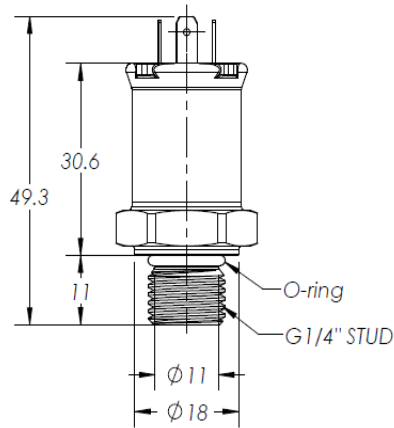


Current Wiring Diagram

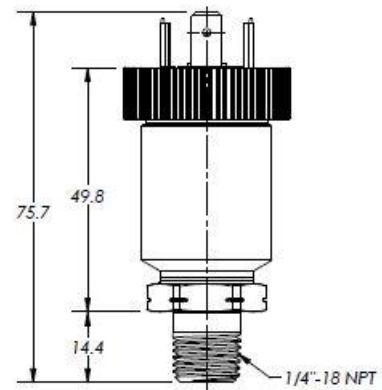
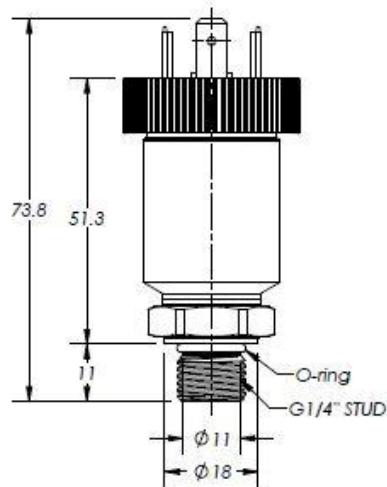


Dimension (mm)

P8000A/P8000B



P8000AD/P8000BD



V01-EN

Ordering & Selection Information

| OS No. | | Pressure Range | Proof Pressure (bar) | | Burst Pressure (bar) | | Pressure Fitting | Output Type |
|-------------|--------------|----------------|----------------------|----|----------------------|------|------------------|-------------|
| DIN9.4mm | DIN43650A | | | | | | | |
| P8000A0007G | P8000AD0007G | 0-7 bar | 3xFS | 21 | 40xFS | 280 | G 1/4 Male | 4-20mA |
| P8000A0010G | P8000AD0010G | 0-10 bar | 3xFS | 30 | 40xFS | 400 | | |
| P8000A0016G | P8000AD0016G | 0-16 bar | 3xFS | 48 | 40xFS | 640 | | |
| P8000A0020G | P8000AD0020G | 0-20 bar | 3xFS | 60 | 40xFS | 800 | | |
| P8000A0025G | P8000AD0025G | 0-25 bar | 3xFS | 75 | 40xFS | 1000 | | |
| P8000B0007G | P8000BD0007G | 0-7 bar | 3xFS | 21 | 40xFS | 280 | | 0-10V |
| P8000B0010G | P8000BD0010G | 0-10 bar | 3xFS | 30 | 40xFS | 400 | | |
| P8000B0016G | P8000BD0016G | 0-16 bar | 3xFS | 48 | 40xFS | 640 | | |
| P8000B0020G | P8000BD0020G | 0-20 bar | 3xFS | 60 | 40xFS | 800 | | |
| P8000B0025G | P8000BD0025G | 0-25 bar | 3xFS | 75 | 40xFS | 1000 | | |
| P8000A0007T | P8000AD0007T | 0-7 bar | 3xFS | 21 | 40xFS | 280 | 1/4-18 NPT | 4-20mA |
| P8000A0010T | P8000AD0010T | 0-10 bar | 3xFS | 30 | 40xFS | 400 | | |
| P8000A0016T | P8000AD0016T | 0-16 bar | 3xFS | 48 | 40xFS | 640 | | |
| P8000A0020T | P8000AD0020T | 0-20 bar | 3xFS | 60 | 40xFS | 800 | | |
| P8000A0025T | P8000AD0025T | 0-25 bar | 3xFS | 75 | 40xFS | 1000 | | |
| P8000B0007T | P8000BD0007T | 0-7 bar | 3xFS | 21 | 40xFS | 280 | | 0-10V |
| P8000B0010T | P8000BD0010T | 0-10 bar | 3xFS | 30 | 40xFS | 400 | | |
| P8000B0016T | P8000BD0016T | 0-16 bar | 3xFS | 48 | 40xFS | 640 | | |
| P8000B0020T | P8000BD0020T | 0-20 bar | 3xFS | 60 | 40xFS | 800 | | |
| P8000B0025T | P8000BD0025T | 0-25 bar | 3xFS | 75 | 40xFS | 1000 | | |

Wiring Diagram

| OS No. | P8000A/P8000B | | | P8000AD/P8000BD | | |
|---------|---------------|---------|---|-----------------|---------|--|
| Pin No. | Voltage | Current | Photo | Voltage | Current | Photo |
| 1 | Vout | N/A |  | VSupply | Vsupply |  |
| 2 | Vsupply | Vsupply | | GND | Return | |
| 3 | N/A | N/A | | Vout | N/A | |
| 4 | GND | Return | | N/A | N/A | |

For more information,

<https://honeywellbuildings.in>

Call: 1-800-103-0339

Email: HBT-Indiabuildings@honeywell.com

Honeywell HBT India Buildings

Unitech Trade Center, 5th Floor, Sector-43,
Block C, Sushant Lok Phase - I,
Gurgaon - 122 002

www.honeywell.com

© 2020 Honeywell International Inc.

P8000
PRESSURE TRANSMITTER

Honeywell