

UL Listed 42 Bar FK 1230 (FK-5-1-12) CLEAN AGENT SYSTEM

FIRE SUPPRESSION SYSTEM

General Information

FK 1230 (FK-5-1-12) Clean agent system are employed to protect critical installations formerly protected by Halon 1301.

These include :-

- Data Processing Centers
- Telephone Switches
- Process Control Rooms
- Art and Historical Collections
- Archive & Museums
- Marine, Oil & Gas
- Aerospace, Aviation & Military

FK 1230 (FK-5-1-12) Fire Suppression Agent

Part Number – H2-120-000

FK 1230 (FK-5-1-12) agent complies with NFPA Standard 2001 : standard for Clean Agent fire Extinguishing systems, EPA SNAP Program (Significant New Alternate Policy)

These agents are classified as suitable for use in occupied areas and are considered to have no ozone depleting potential (ODP)

FK 1230 (FK-5-1-12) fire suppressant can be safely used where people are present.

DESCRIPTION

FK 1230 (FK-5-1-12) systems reach extinguishing levels in 10 seconds or less, stopping ordinary combustibles, electrical, and flammable liquid fires before they cause significant damage. That's the fastest fire protection available, period. When fire is extinguished this quickly, it means less damage, lower repair costs, and an extra margin of safety for people. It also means less downtime and disruption of business.



AGENT	CLASS A MEC	CLASS A DESIGN	CLASS B MEC	CLASS B DESIGN	CLASS C DESIGN
FK-5-1-12	3.3	4.0	4.5	5.9	4.5
NFPA 2001 REQUIREMENTS FOR MINIMUM VALUES					

CLASS B CONCENTRATION

FLAMMABLE LIQUID	DESIGN CONCENTRATION (VOL%)
ACETONE	5.59
ETHANOL	7.15
N-HEPTANE	5.85
TRANSFORMER OIL	5.85
DIESEL FUEL	4.42
JP4	9.0
PRRROLIDINE	6.11

UL Listed 42 Bar FK 1230 FIRE SUPPRESSION SYSTEM

PHYSICAL & CHEMICAL PROPERTIES	
Empirical formulae.	$CF_3CF_2C(O)CF_3)_2$
IUPAC Designation	Dodecafluoro-2-methylpentan-3-one
ASHRAE Designation.	FK-5-1-12
Molecular Weight.	316.04
Boiling Point at 1 Atm	49.2 °C (120.6 °F)
Freezing Point	-108.0°C (-162.4°F)
Ozone Depletion Potentia	0
Atmospheric Lifetime	5 days
No Observed Adverse Effect Level	10 %

ENVIRONMENTALLY FRIENDLY

DESCRIPTION	FK-5-1-12 (FK 1230)
OZONE DEPLETION POTENTIAL	0.0
GLOBAL WARMING POTENTIAL	1
ATMOSPHERIC LIFETIME (YEARS)	5 DAYS
SNAP (YES/NO)	YES

34, 80, 120 & 140 liter Capacity Seamless Cylinder - Standard Unit

PESO Approved Seamless cylinder of FK 1230 (FK-5-1-12) Clean Agent System are used with 42 Bar (610 PSI) system.

SEAMLESS CYLINDER DATA - STANDARD UNIT					
PART NUMBER	CAPACITY	VALVE (NB)	AGENT FILL RANGE (KG.)	HEIGHT (MM)	DIAMETER (MM)
H2-25-34-000	34 L	1-1/2" (40NB)	16.4 TO 38.1	1118	Ø 232
H2-25-80-000	80 L	2" (50NB)	38.5 TO 89.7	1842	Ø 267
H2-25-120-000	120 L	2" (50NB)	57.7 TO 134.6	1642	Ø 356
H2-25-140-000	140 L	2" (50NB)	67.3 TO 157.0	1867	Ø 356

Storage Temperature :-

FK 1230 (FK-5-1-12) is stored in cylinder as liquid, superpressurized with dry nitrogen to 42 bar at 21°C (610 PSIG at 70 °F)

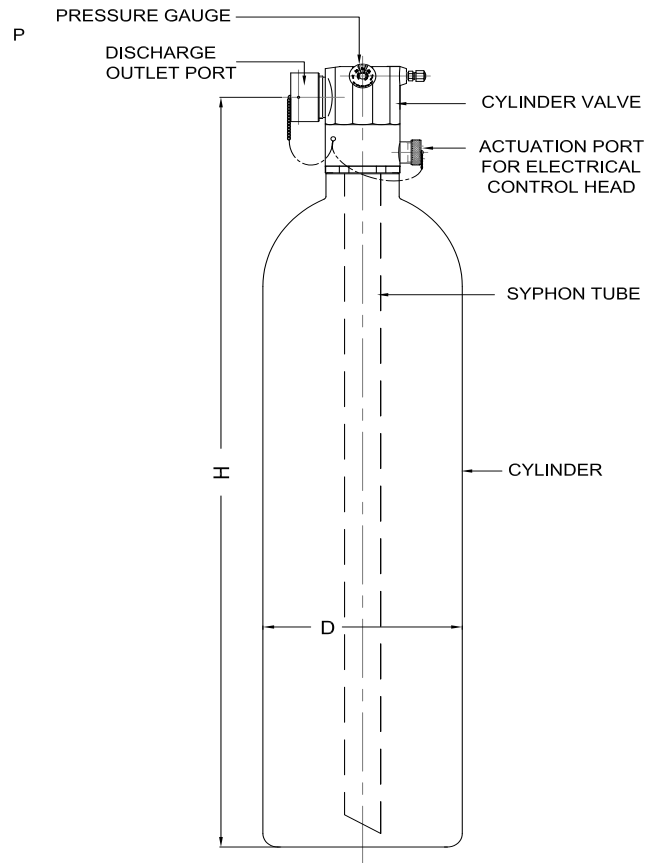
Materials :-

Valve Body: Brass

Seamless type, manufactured and tested in accordance with IS 7285 Standard and approved by PESO for their use

Notes :-

- Clean Agent Cylinder must be installed in vertical position only.
- Do not cover remove or deface caution label



UL Listed 42 Bar FK 1230 FIRE SUPPRESSION SYSTEM

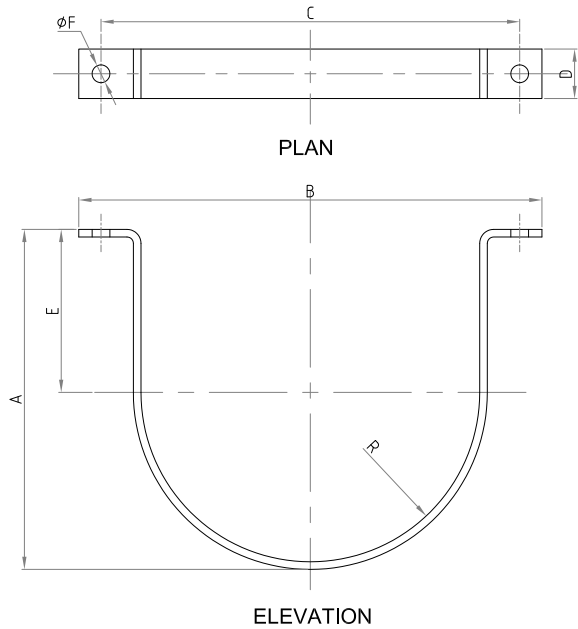
Cylinder Mounting Strap

Cylinder straps are used to mount the clean agent cylinders in vertical position.

ORDERING INFORMATION								
PART NUMBER	CYL. SIZE	A	B	C	D	E	F	R
		MM	MM	MM	MM	MM	MM	MM
H4-011-000	34 L	233	330	295	39	111	Ø14	116
H4-012-000	80 L	268	365	330	39	128	Ø14	133
H4-013-000	120 & 140 L	357	454	419	39	173	Ø14	178

Technical Data :-

Body : Mild Steel.

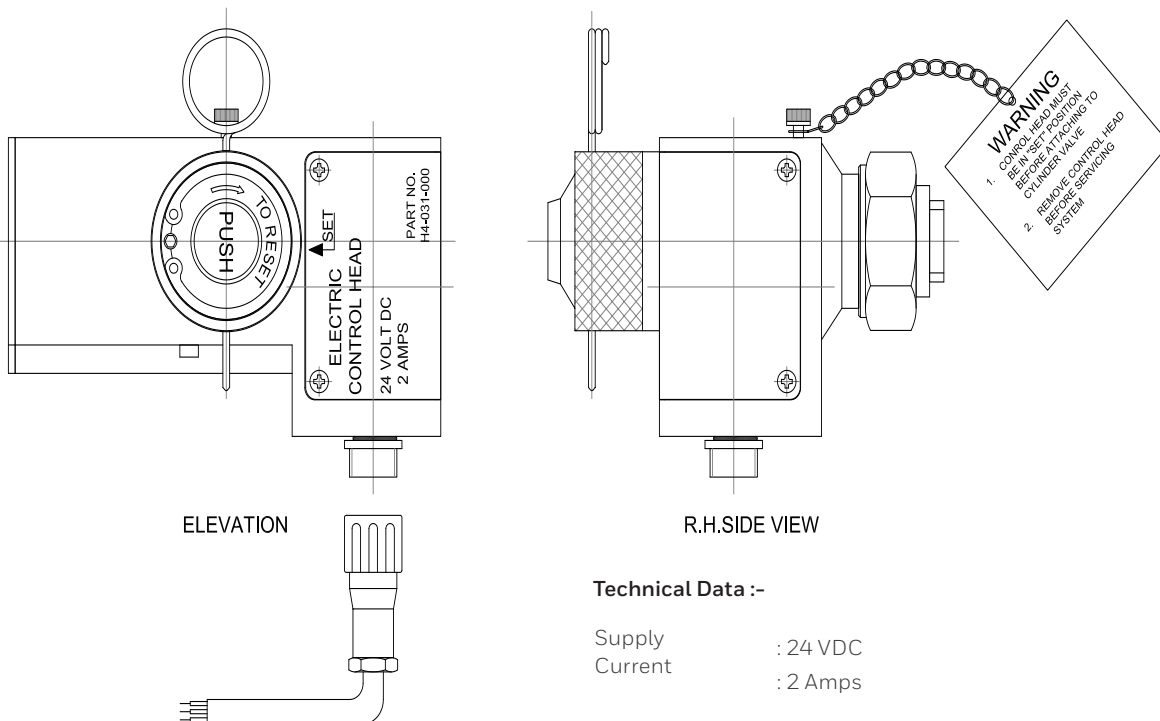


Electric Cum Manual Actuator (Electric Control Head)

Part Number – H4-031-000

The Electric control heads is an electromechanical device mounted on the master cylinder actuation port. On receiving an 24 VDC signal from the fire alarm panel or other similar source. The Electric control head gets actuated and triggers the master cylinder actuation port. It also houses a manual release plunger which can be used to manually trigger the cylinder actuation port.

The actuator also has an feature of supervisory switch. The switch is integrated such a way in electric control head. That it will give signal to releasing control panel to indicate that the electric control head is removed from master cylinder actuation port.



Technical Data :-

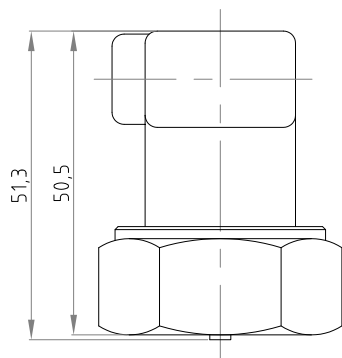
Supply : 24 VDC
Current : 2 Amps

UL Listed 42 Bar FK 1230 FIRE SUPPRESSION SYSTEM

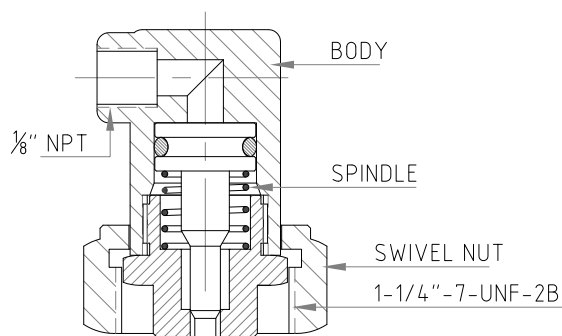
Pressure Operated Control Head (Pneumatic Actuator)

Part Number – H4-032-000

In multiple cylinder system, a pressure operated control head is attached to each slave cylinder at the valve actuation port. On the actuation of electric control head mounted on master cylinder, pressure from the master cylinder causes each pressure operated control head to open its attached cylinder valve pneumatically.



ELEVATION



SECTION A-A

Technical Data :-

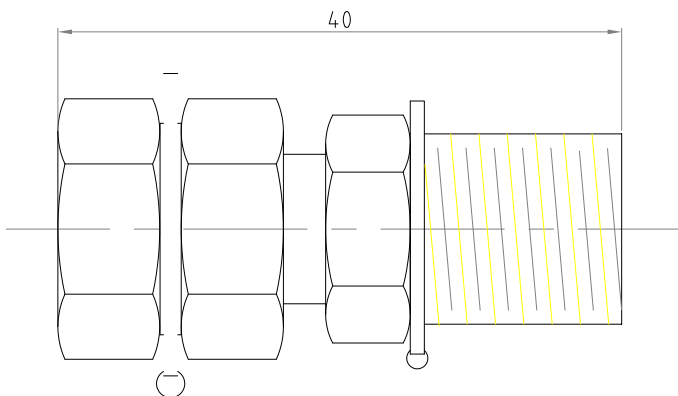
MOC : Brass
Thread Type : Female NPT 1-1/4"-&-UNC-2B

ASSEMBLY OF PRESSURE OPERATED CONTROL HEAD

Master Cylinder Adapter Kit

Part Number – H4-050-000

The master cylinder adapter kit provides a means of connecting a flexible actuation hose to the master and slave cylinder assembly. This enables system to actuate the Slave Clean Agent Cylinder.



Technical Data :-

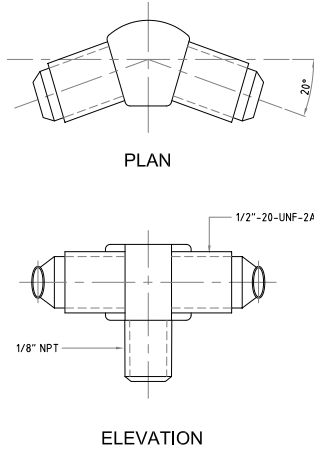
MOC : Brass
Thread Type : 1/4" Male NPT

UL Listed 42 Bar FK 1230 FIRE SUPPRESSION SYSTEM

1/4" Pilot Actuation Male Tee and Elbow

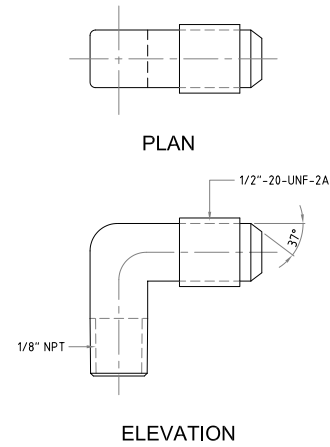
Male Tee, Part Number – H4-051-000

The male tee is primarily used in manifold system for connecting actuation hose from one slave cylinder to the next.



Male Elbow, Part Number – H4-052-000

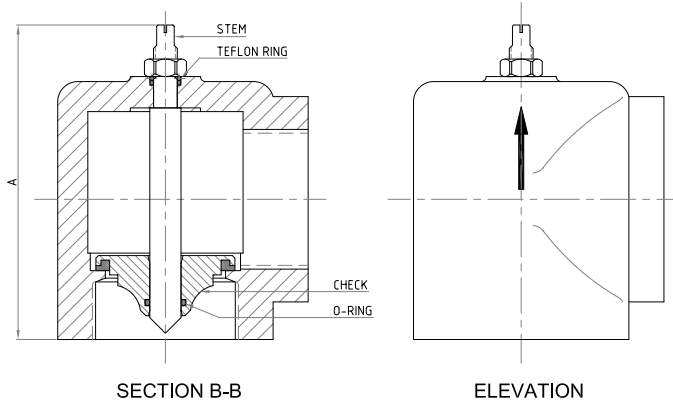
The male elbow is used on the last slave cylinder in manifold system.



1-1/2" & 2" Manifold Check Valve

1-1/2" Valve Part Number H4-060-000

In a multiple cylinder arrangement where the master and slave cylinders share a common manifold or in a connected main/reserve arrangement, a manifold check valve must be placed between the discharge outlet and the discharge manifold. The manifold check valve prevents back flow from the manifold, should the system be inadvertently discharged.



Note :-

Manifold Check valve to be installed in vertical position only. Please refer arrow mark during installation.

Technical Data :-

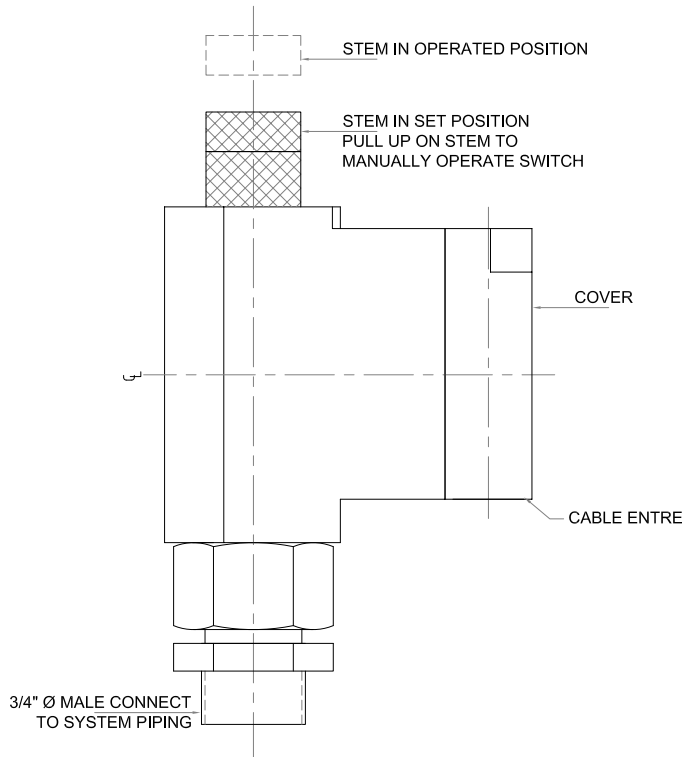
Valve Body : SS 316
Check : SS 316

UL Listed 42 Bar FK 1230 FIRE SUPPRESSION SYSTEM

Manifold or Piping Agent Discharge Pressure Switch

Part Number H4-081-000

The discharge pressure switch is activated by pressure from the agent during discharge and can be used to signal an control panel that the system has discharged. The pressure switch incorporates a reset button which has to be depressed following a discharge.



Manifold Discharge Pressure Switch

Technical Data :-

Pressure Inlet Connection	: 3/4" Male
Switch Rating	: 6 Amp
Housing	: Aluminium
Switch Point	: ± 52 PSI

Note :-

The preferred installation position for the discharge pressure switch is upright as described in the figure.

For more information,

<https://honeywellbuildings.in>

Call: 1-800-103-0339

Email: HBT-Indiabuildings@honeywell.com

Honeywell HBT India Buildings

Unitech Trade Center, 5th Floor, Sector-43,
Block C, Sushant Lok Phase - I,
Gurgaon - 122 002

www.honeywell.com



© 2020 Honeywell International Inc.

**UL Listed 42 Bar FK 1230
(FK-5-1-12)
FIRE SUPPRESSION SYSTEM**

Honeywell