







# UL LISTED 25 BAR HFC-227EA FIRE SUPPRESSION SYSTEM

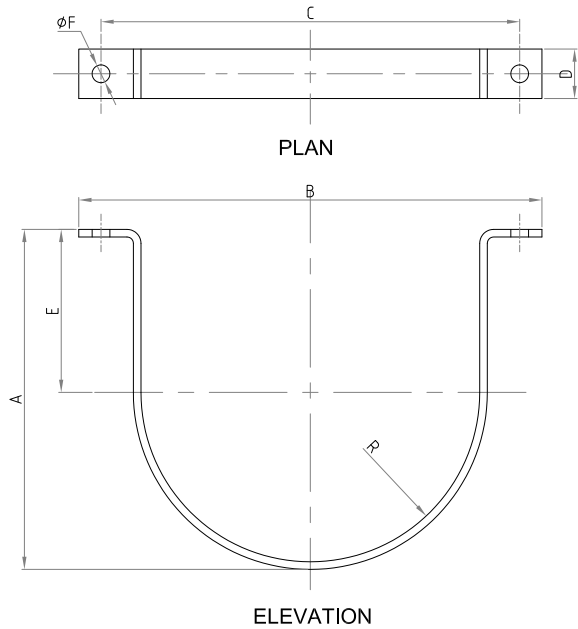
## Cylinder Mounting Strap

Cylinder straps are used to mount the clean agent cylinders in vertical position.

ORDERING INFORMATION								
PART NUMBER	CYL. SIZE	A	B	C	D	E	F	R
		MM	MM	MM	MM	MM	MM	MM
H4-011-000	34 L	233	330	295	39	111	Ø14	116
H4-012-000	80 L	268	365	330	39	128	Ø14	133
H4-013-000	120 & 140 L	357	454	419	39	173	Ø14	178

## Technical Data :-

Body : Mild Steel.

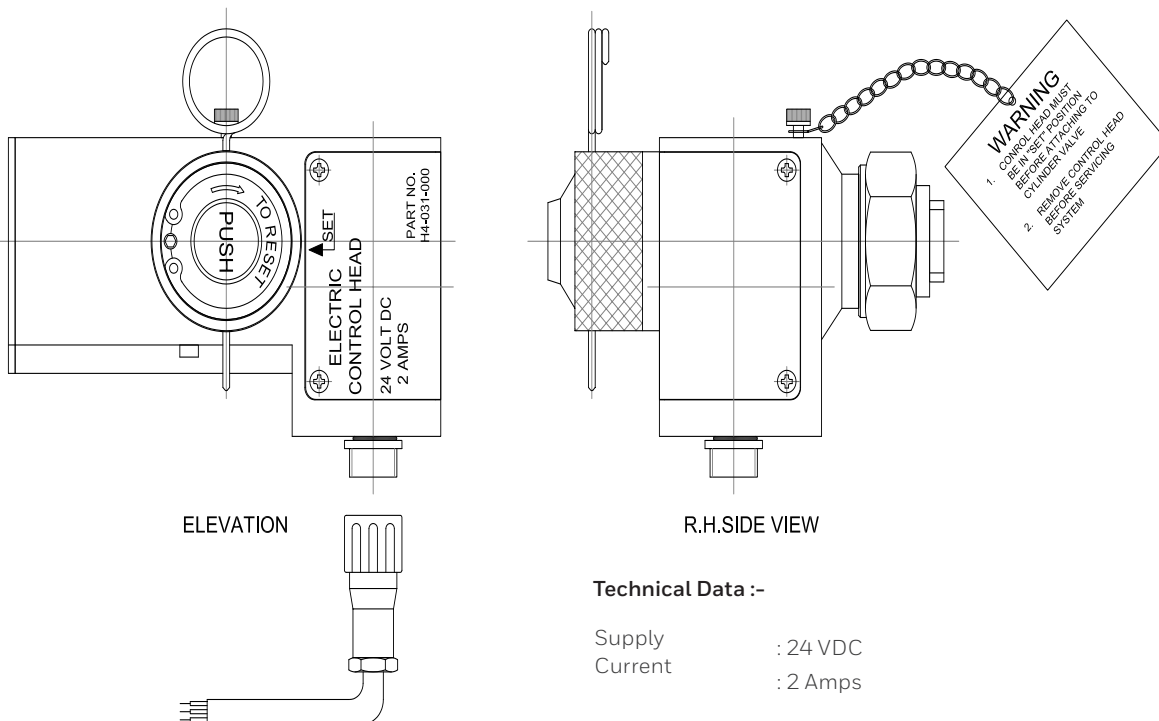


## Electric Cum Manual Actuator (Electric Control Head)

### Part Number – H4-031-000

The Electric control heads is an electromechanical device mounted on the master cylinder actuation port. On receiving an 24 VDC signal from the fire alarm panel or other similar source. The Electric control head gets actuated and triggers the master cylinder actuation port. It also houses a manual release plunger which can be used to manually trigger the cylinder actuation port.

The actuator also has an feature of supervisory switch. The switch is integrated such a way in electric control head. That it will give signal to releasing control panel to indicate that the electric control head is removed from master cylinder actuation port.



## Technical Data :-

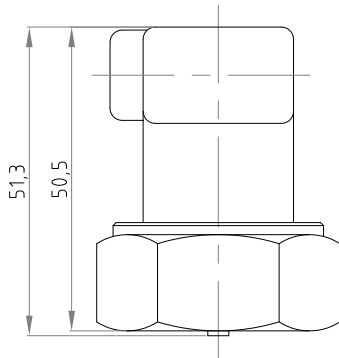
Supply : 24 VDC  
Current : 2 Amps

# UL LISTED 25 BAR HFC-227EA FIRE SUPPRESSION SYSTEM

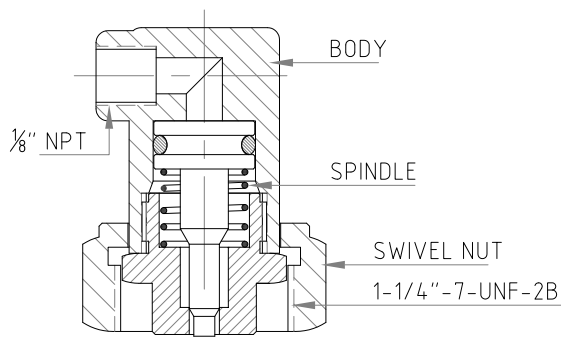
## Pressure Operated Control Head (Pneumatic Actuator)

Part Number – H4-032-000

In multiple cylinder system, a pressure operated control head is attached to each slave cylinder at the valve actuation port. On the actuation of electric control head mounted on master cylinder, pressure from the master cylinder causes each pressure operated control head to open its attached cylinder valve pneumatically.



ELEVATION



SECTION A-A

### Technical Data :-

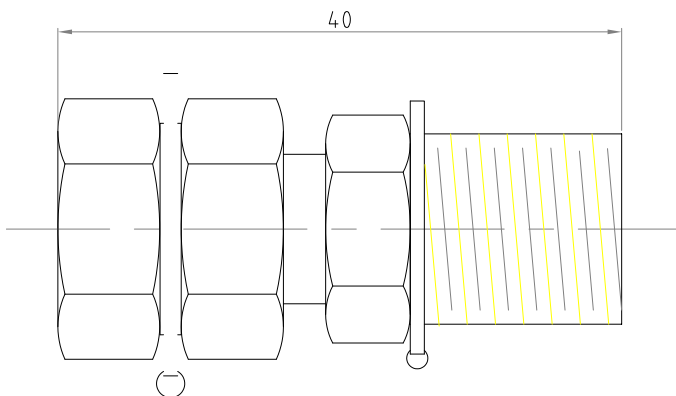
MOC : Brass  
Thread Type : Female NPT 1-1/4"-&-UNC-2B

## ASSEMBLY OF PRESSURE OPERATED CONTROL HEAD

### Master Cylinder Adapter Kit

Part Number – H4-050-000

The master cylinder adapter kit provides a means of connecting a flexible actuation hose to the master and slave cylinder assembly. This enables system to actuate the Slave Clean Agent Cylinder.



### Technical Data :-

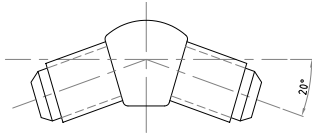
MOC : Brass  
Thread Type : 1/4" Male NPT

# UL LISTED 25 BAR HFC-227EA FIRE SUPPRESSION SYSTEM

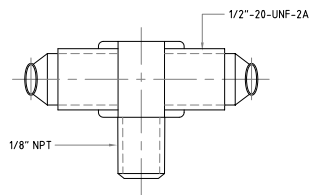
## 1/4" Pilot Actuation Male Tee and Elbow

### Male Tee, Part Number – H4-051-000

The male tee is primarily used in manifold system for connecting actuation hose from one slave cylinder to the next.



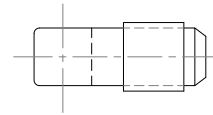
PLAN



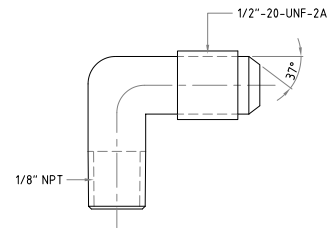
ELEVATION

### Male Elbow, Part Number – H4-052-000

The male elbow is used on the last slave cylinder in manifold system.



PLAN



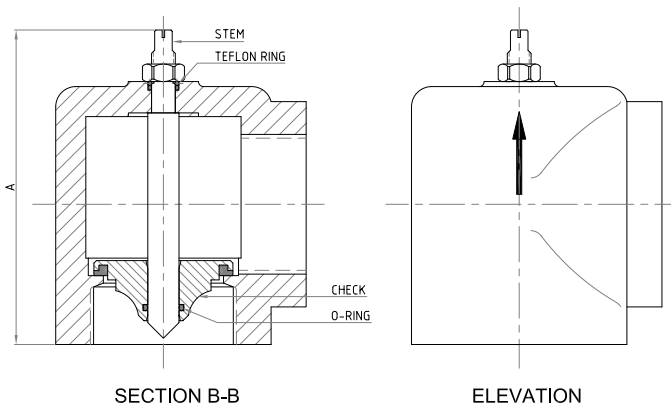
ELEVATION

## 1-1/2" & 2" Manifold Check Valve

### 1-1/2" Valve Part Number H4-060-000

### 2" Valve Part Number H4-061-000

In a multiple cylinder arrangement where the master and slave cylinders share a common manifold or in a connected main/reserve arrangement, a manifold check valve must be placed between the discharge outlet and the discharge manifold. The manifold check valve prevents back flow from the manifold, should the system be inadvertently discharged.



Note :-

Manifold Check valve to be installed in vertical position only. Please refer arrow mark during installation.

#### Technical Data :-

Valve Body : SS 316  
Check : SS 316

# UL LISTED 25 BAR HFC-227EA FIRE SUPPRESSION SYSTEM

## 180 & 360 Degree Nozzle

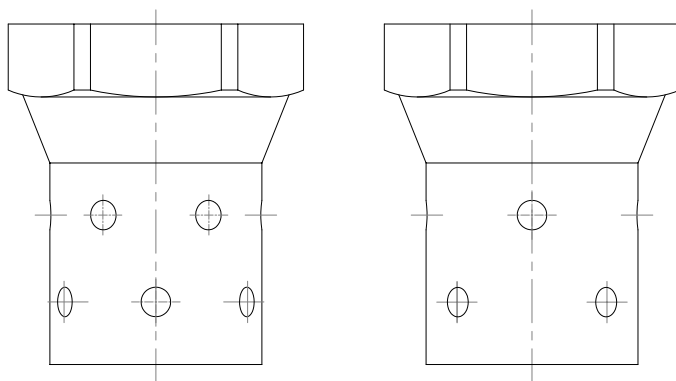
360° Nozzle Part Number H5-001-XXX

180° Nozzle Part Number H5-002-XXX

HFC-227ea Nozzles are available in two discharge pattern 180 & 360 degree.

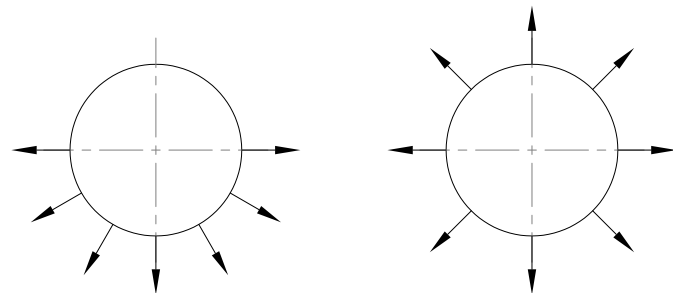
Discharge nozzles have a NPT female pipe thread for attachment to the discharge piping network. The nozzles are selected based on the hazard to be protected to achieve best the flow rate and distribution of HFC-227ea in protected hazard area

Part number / orifice for nozzle will be generated by HFC-227ea fire suppression system design software.



180° NOZZLE

360° NOZZLE

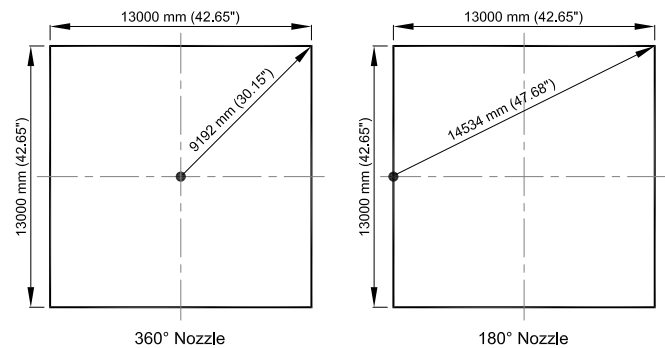


GAS FLOW DIRECTION

### Technical Data :-

MOC : Brass  
Thread Type : Female, NPT  
Nozzle Type : 180 degree & 360 degree nozzle  
Sizes : 15NB, 20NB, 25NB, 32NB, 40NB & 50NB.

### Nozzle Placement and Coverage :-

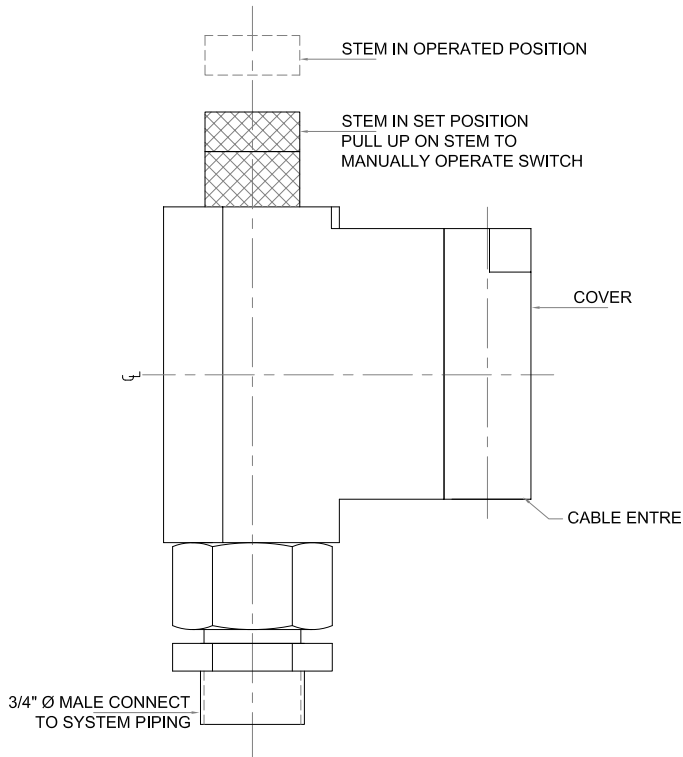


# UL LISTED 25 BAR HFC-227EA FIRE SUPPRESSION SYSTEM

## Manifold or Piping Agent Discharge Pressure Switch

Part Number H4-081-000

The discharge pressure switch is activated by pressure from the agent during discharge and can be used to signal an control panel that the system has discharged. The pressure switch incorporates a reset button which has to be depressed following a discharge.



## Manifold Discharge Pressure Switch

### Technical Data :-

Pressure Inlet Connection : 3/4" Male

Switch Rating : 6 Amp

Housing : Aluminium

Switch Point : ± 52 PSI

### Note :-

The preferred installation position for the discharge pressure switch is upright as described in the figure.

### For more information,

<https://honeywellbuildings.in>

Call: 1-800-103-0339

Email: HBT-Indiabuildings@honeywell.com

### Honeywell HBT India Buildings

Unitech Trade Center, 5th Floor, Sector-43,  
Block C, Sushant Lok Phase - I,  
Gurgaon - 122 002

[www.honeywell.com](http://www.honeywell.com)



© 2020 Honeywell International Inc.

**UL LISTED 25 BAR  
HFC-227EA  
FIRE SUPPRESSION SYSTEM**

**Honeywell**