

BUTTERFLY VALVE WITH ELECTRICAL ACTUATOR (WAFER TYPE), PN16

Impact Motorized Butterfly Valves (Wafer Type)

SALIENT FEATURES

- Design Standard IS 13095 / BS EN 593 (BS 5155) Wafer Type.
- Electrical Acuator Operated
- ON/FF and Modulating type actuation control
- Cast Iron / Ductile Iron construction
- Ductile Iron / Stainless Steel (SS304) Disc
- Compatible with B.M.S (Building Management System)
- IP 67 protection available for outdoor application
- Anti-condensation space heater available in the actuator
- Input Voltage – 230+/-10% VAC 50/60 Hz power supply
- Body liner (EPDM) will be renewable type for size upto DN150 and body molded type for size DN200 and above
- Compatible to sandwich between flanges as per ISO7005-1 (GB/T 9113) /IS 1538 (B16.5#150)1092-2.



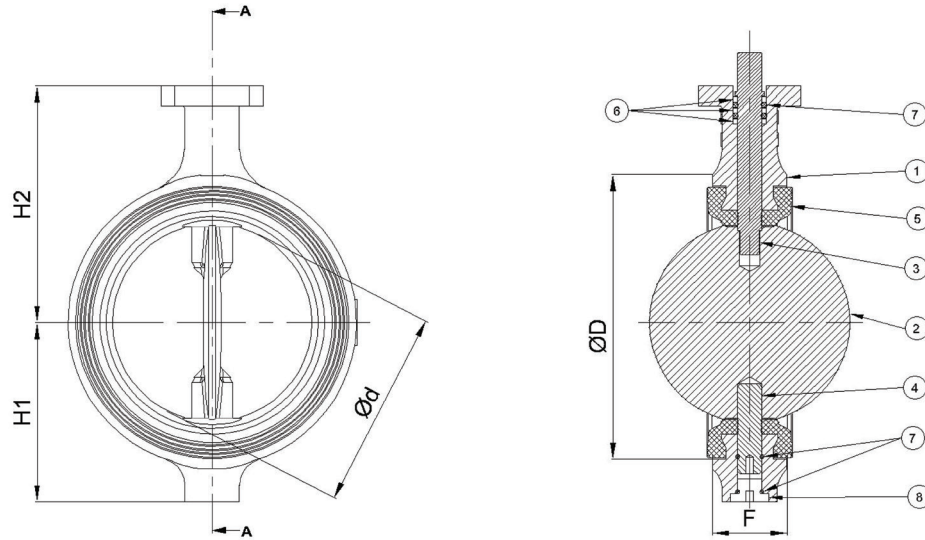
SPECIFICATIONS

VALVE	
Size Range	DN50 - DN600
Suitable for	Water
Medium Temp.	-10°C to 110°C
Nominal Pressure	PN16

ACTUATOR	
Power Supply	230+/-10% VAC 50/60 Hz
Travel Angle	90° ± 5°
Feedback	2 Aux Switches
Enclosure	IP67 Waterproof
Ambient Temperature	-10°C to +65°C
Indicator	Continuous Position Indicator with manual override
Worm Gear	Permanently lubricated and self-locking
Material	Aluminum Alloy
External Coating	Dry Powder Coating

Test Pressure (Hydrostatic)	
Shell Test	24 Bar
Seat Test	17.6 Bar

a. Valve Size DN50 - DN250



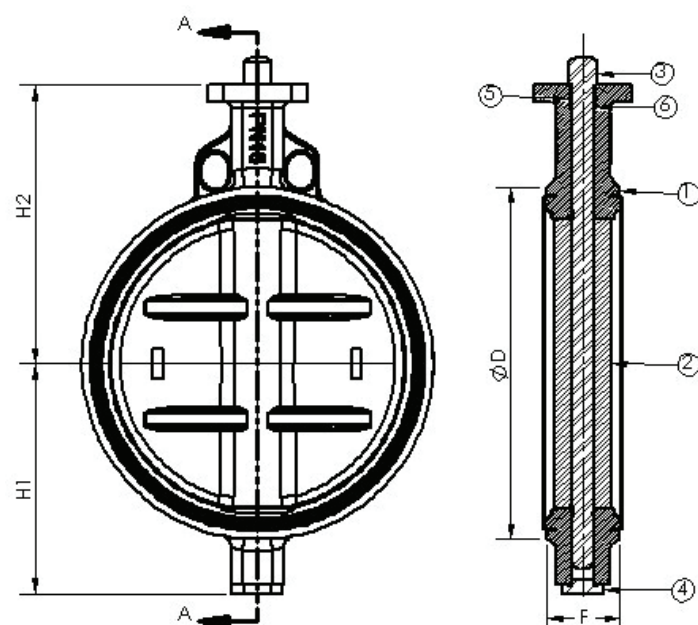
PART DESCRIPTIONS

SR. NO.	PART NAME	MATERIAL	SPECIFICATION	QTY.
1	BODY	CAST IRON	IS:210 Gr. FG200	1
2	DISC	Ductile Iron / SS	IS 1865 Gr. 400/15 / SS304	1
3	UPPER STEM	STAINLESS STEEL	ASTM A276 Gr, SS 410	1
4	LOWER STEM	STAINLESS STEEL	ASTM A276 Gr, SS 410	1
5	SEAT BODY LINING	RUBBER	EPDM	1
6	BODY BUSH	PTFE	PTFE	3
7	O-RINGS	RUBBER	EPDM	3
8	BOTTOM PLUG	MILD STEEL (ZINC PLATED)	-----	1

OUTSIDE DIMENSIONS DN SIZES IN MM

SIZE MM (INCH)	A	F	ØD	Ød	H1	H2
50 (2")	47	41.5	97	52	67	110
65 (2-1/2")	62	44.5	111	66	74	118
80 (3")	75.5	44.5	128	80.5	85	127
100 (4")	96	50.5	160	100	101	145
125 (5")	117.5	54.5	192	122.5	120	162
150 (6")	142.9	54.5	213	146.9	134	174
200 (8")	238	59	271	198	162	221
250 (10")	248.8	66.5	325	252.6	216	285

b. Valve Size DN300 - DN600



PART DESCRIPTIONS

SR. NO.	PART NAME	MATERIAL	SPECIFICATION	QTY.
1	BODY	DUCTILE IRON	IS 1865 Gr. 400/15	1
2	DISC	DUCTILE IRON/S.S.	IS 1865 Gr. 400/15/CF8	1
3	UPPER STEM	STAINLESS STEEL	ASTM A276 Gr. SS 410	1
4	BOTTOM PLUG	MILD STEEL (ZINC PLATED)	-----	1
5	O-RINGS	RUBBER	EPDM	3
6	BODY BUSH	PTFE	PTFE	3

OUTSIDE DIMENSIONS DN SIZES IN MM

SIZE MM (INCH)	A	F	ØD	H1	H2
300 (12")	296.7	76.5	376	229	315
350 (14")	325.5	90.5	330.7	282	373
400 (16")	397.5	101.5	402.7	315	417
450 (18")	443	112.5	447.5	346	427
500 (20")	498	125.5	504	375	475
600 (24")	597	152.5	604	443	555

VALVE-ACTUATOR COMPATIBILITY

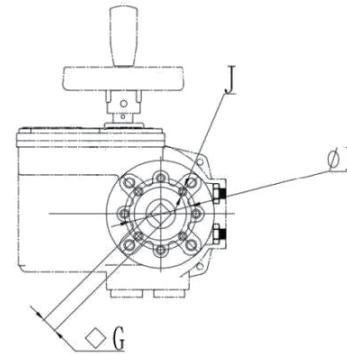
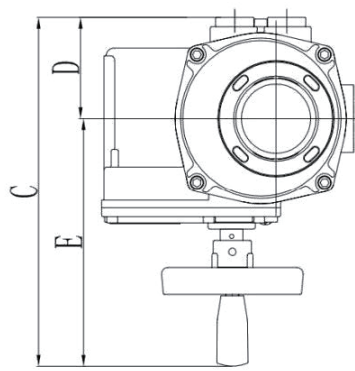
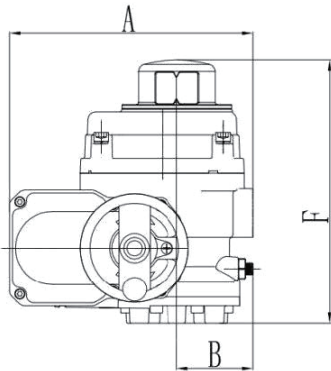
VALVE SIZE MM (INCH)	ACTUATOR		MAX TORQUE (NM)		RUN TIME (SEC)		KVS (M3 /H)
	ON-OFF	MODULATING	ON-OFF	MODULATING	ON-OFF	MODULATING	
50 (2")	NOM16H0050	NOM16H0050P	50	50	20	20	109
65 (2-1/2")	NOM16H0050	NOM16H0050P	50	50	20	20	177
80 (3")	NOM16H0050	NOM16H0050P	50	50	20	20	243
100 (4")	NOM16H0050	NOM16H0050P	50	50	20	20	483
125 (5")	NOM16H0080	NOM16H0080P	80	80	30	30	822
150 (6")	NOM16H0080	NOM16H0080P	80	80	30	30	1,270
200 (8")	EM-0150	NOM16H0200P	150	200	20	30	2,550
250 (10")	EM-0400	NOM16H0400P	400	400	26	30	4,342
300 (12")	EM-0400	NOM16H0400P	400	400	26	30	6,708
350 (14")	EM-1000	NOM16H1000P	1000	1000	26	54	9,793
400 (16")	EM-1500	NOM16H2000P	1500	2000	90	70	13,467
450 (18")	EM-2000	NOM16H2000P	2000	2000	90	70	17,836
500 (20")	EM-2500	NOM16H4000P	2500	4000	90	140	22,933
600 (24")	NOM16H4000	NOM16H4000P	4000	4000	140	140	35,431

VALVE DIMENSIONS (MM)

SIZE		A	B	C	ØD	L	H	ØK	ØE	N-ØD
MM	INCH									
50	2"	110	67	43	50.5	15	11	65	50	4-7
65	2.5"	118	75	46	65	15	11	65	50	4-7
80	3"	130	82	46	80	15	11	65	50	4-7
100	4"	145	100	52	100	15	11	65	50	4-7
125	5"	156	114	56	123	29	14	90	70	4-10
150	6"	176	135	56	149.5	29	14	90	70	4-10
200	8"	220	161	60	197	29	17	90	70	4-10
250	10"	280	220	68	250.5	39	22	125	102	4-12
300	12"	305	230	78	299.5	39	22	125	140	4-12
350	14"	370	280	92	351	45	22	175	140	4-18
400	16"	412	315	102	403	45	27	175	165	4-18
450	18"	425	348	114	453	45	27	210	165	4-22
500	20"	470	380	127	503	45	36	210	165	4-22
600	24"	550	445	154	603	45	36	210	70	4-22

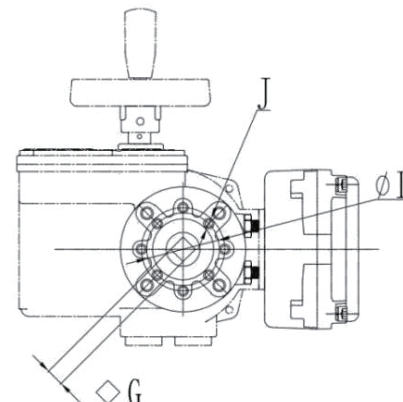
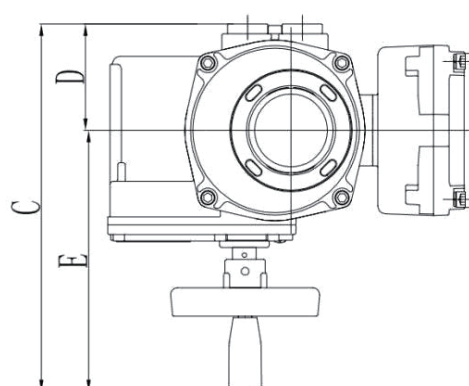
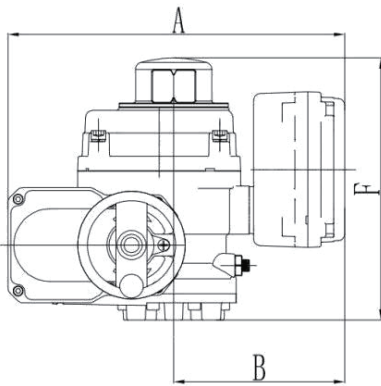
ACTUATOR DIMENSIONS

ON-OFF Type

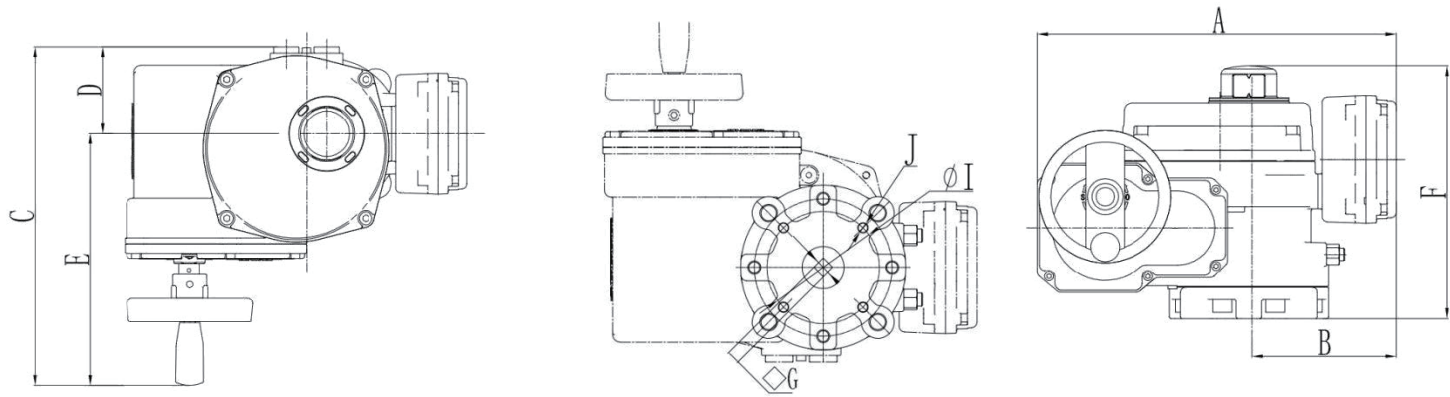


NOM16H0050/NOM16H0080

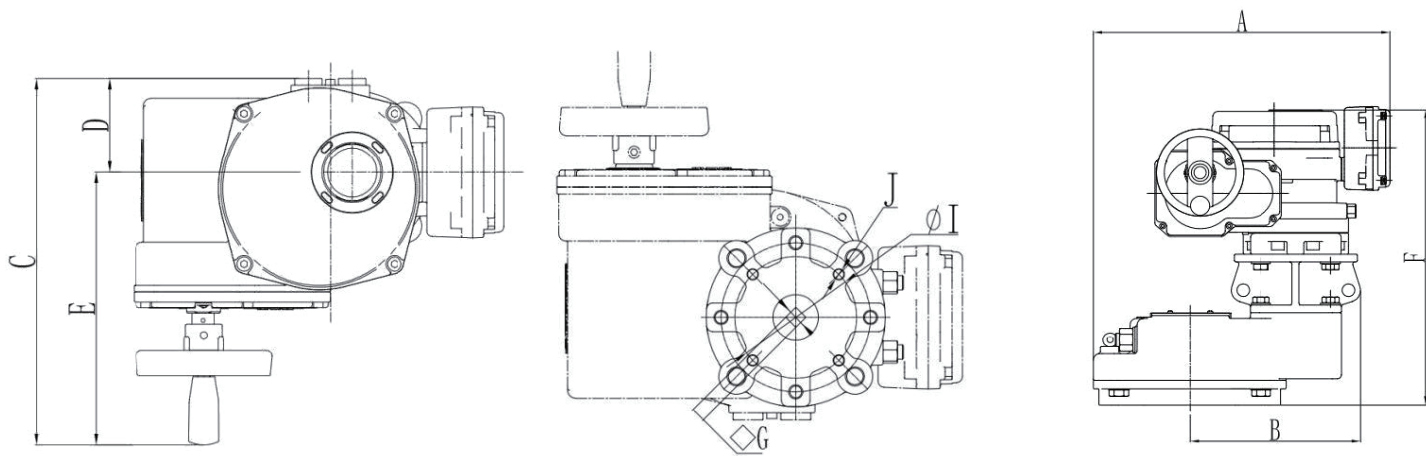
Modulating Type



NOM16H0050P/NOM16H0080P



NOM16H0200P/NOM16H0400P/NOM16H0600P/NOM16H0800P/NOM16H1000P



NOM16H2000P(B)/NOM16H4000P/NOM16H5000P

DIMENSION (MM)

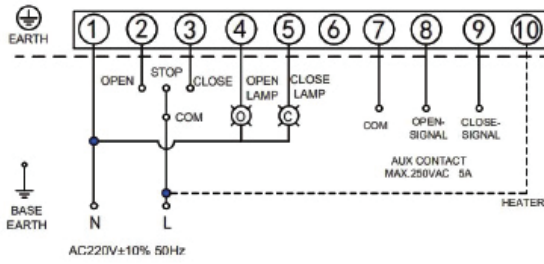
MODEL	A	B	C	D	E	F	WEIGHT (KG)
NOM16H0050	166	52	236	66	170	180	3.3
NOM16H0080	166	52	236	66	170	180	3.3
NOM16H0050P	234	121	236	66	170	180	4.5
NOM16H0080P	234	121	236	66	170	180	4.7
NOM16H0200P	303	132	342	82	260	214	11.2
NOM16H0400P	303	132	342	82	260	214	11.7
NOM16H0600P	303	132	342	82	260	214	12.2
NOM16H0800P	343	143	355	86	269	239	16.7
NOM16H1000PB	343	143	355	86	269	239	17.2
NOM16H2000PB	420	241	406	137	269	425	53.2
NOM16H4000PB	420	241	406	137	269	425	56.2
NOM16H5000P	420	241	406	137	269	425	58.2

MODEL	A1	A2	A3	B	B1	D	D1	E	H1	H2	L	L1	L2
EM-0150	49.5	22.5	30	85	77.5	200	200	27.5	64	263	190	85	76
EM-0400	60	33	35	100	77	200	220	27.5	70	304	205	88	76
EM-1000	70	43	38	115	92	250	260	27.5	78	342	228	106	110
EM1500	70	43	38	165	92	250	260	27.5	185	450	228	106	110
EM2000	70	43	38	165	92	250	260	27.5	185	450	228	106	110
EM2500	70	43	38	165	92	250	260	27.5	185	450	228	106	110

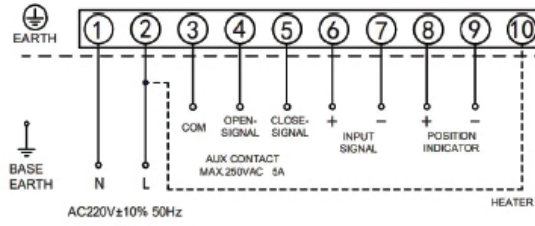
WIRING DIAGRAMS

NOM Actuators

ON-OFF Type



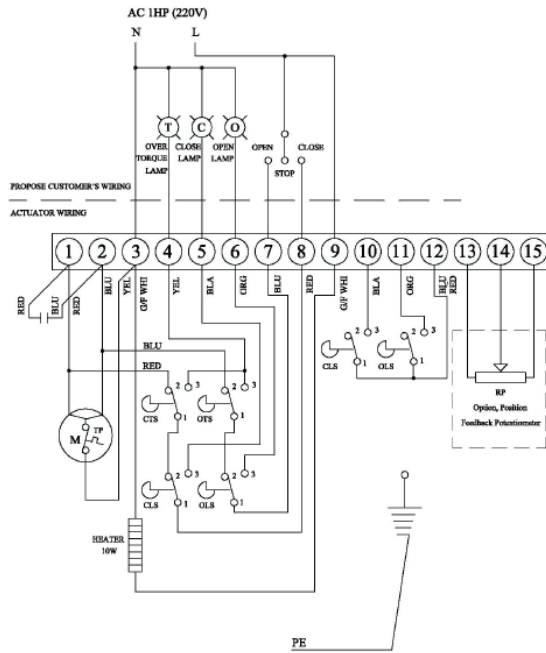
Modulating Type



EM Actuators

Wiring - EM-0150 -EM2500

CLS:CLOSE LIMIT SWITCH (250VAC 6A)	CLS 1-2	
OLS:OPEN LIMIT SWITCH (250 VAC 6A)	CLS 1-3	
CTS:CLOSE TORQUE SWITCH(250VAC 6A)	CLS 1-2	
OTS:OPEN TORQUE SWITCH:(250VAC 6A)	CLS 1-3	
TP :THERMAL PROTECTOR (250VAC)	CTS 1-3	CLOSING TORQUE SWITCH INTERRUPTS CONTROL IF MECHANICAL OVERLOAD OCCURS DURING CLOSING CT
	OTS 1-3	OPENING TORQUE SWITCH INTERRUPTS CONTROL IF MECHANICAL OVERLOAD OCCURS DURING OPENING CT



For more information,

www.honeywellbuildings.in

Call: 000-8000-502167,

Email: enquiry.mms@honeywell.com, bmsindiatechsupport@honeywell.com

Honeywell HBT India Buildings

Unitech Trade Center, 5th Floor, Sector-43,
Block C, Sushant Lok Phase - I,
Gurgaon - 122 002.

IMPACT
by Honeywell