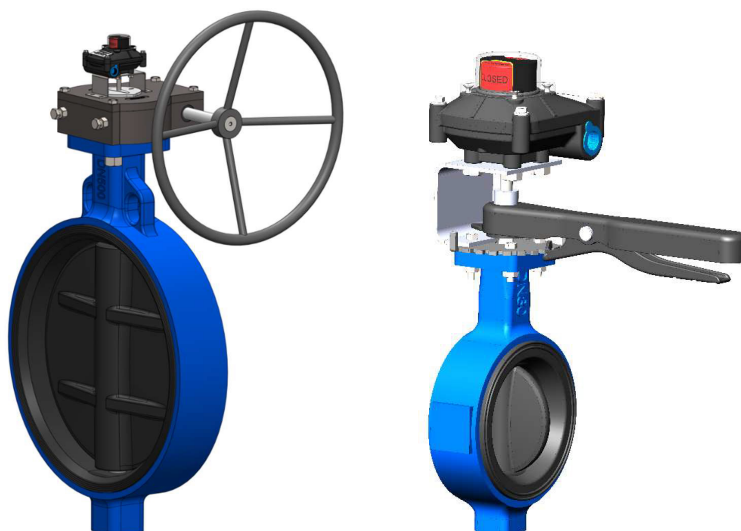


BUTTERFLY VALVE

With Limit Switch PN16 Wafer Type

GENERAL

The Butterfly Valves are designed for Chilled & Hot Water to be operated by Gearbox and hand Lever.

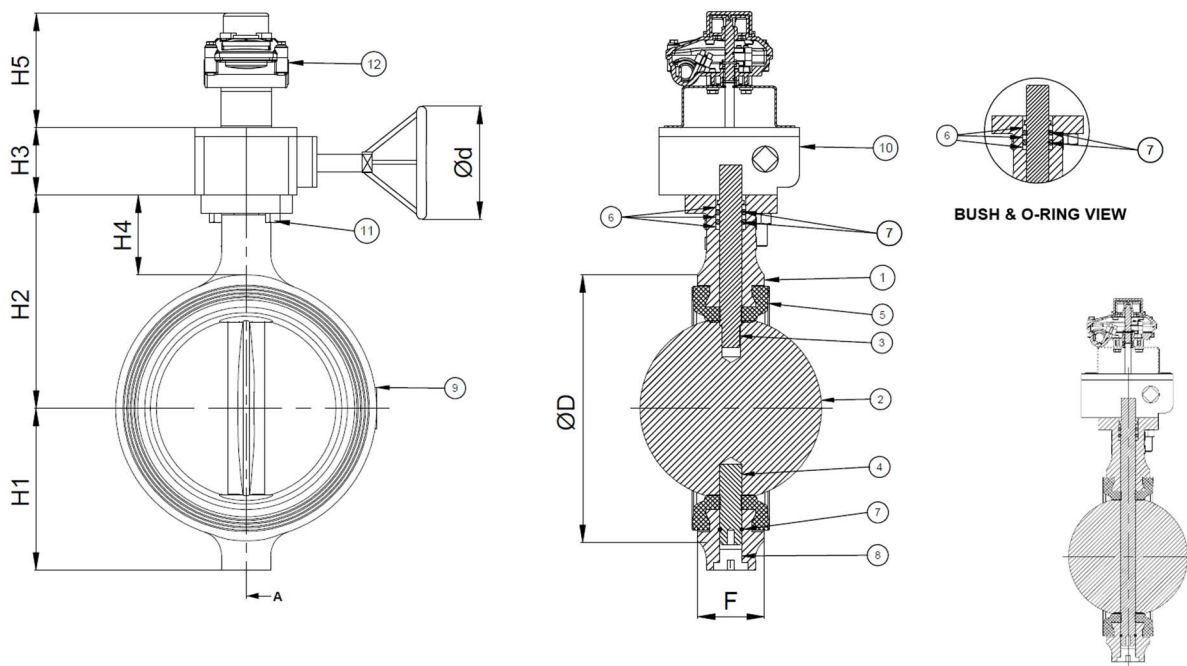


PRODUCT DATA

FEATURES	
SIZE	DN40-DN600 (Gearbox) DN40-DN300 (Hand lever)
BODY	Cast Iron(DN50-DN250) Ductile Iron(DN300-DN600)
DISC	Ductile Iron / Stainless Steel
CONNECTION TYPE	Wafer
TIGHT SHUT-OFF TYPE	
NO VISIBLE LEAKAGE	
90° OPENING/CLOSING OPERATION	
Seat Type	DN50-125 (Renewable) DN150-600 (Integral)
LIMIT SWITCH WITH 3D POSITION INDICATOR	
SPECIFICATIONS	
MEDIUM	Water
MEDIUM TEMP	10°C to 110°C
NOMINAL PRESSURE	PN16

STANDARDS AND CODES	
DESIGN STD	IS:13095
TESTING STD	IS:13095
SUITABLE FOR INSERTION BETWEEN FLANGES	IS: 1538, ISO: 7005-2, ASME B16.5, ASME B16.1 BS EN 1092-2.
HYDROSTATIC TEST PRESSURE	
SHELL TEST	24 Bar
SEAT TEST	17.6 Bar
PAINT DETAIL	
POWDER COATING	DN50-125 (Body)
EPOXY PAINT	DN150-600 (Body)
POWDER COATING	DN50-600 (DI Disc)
SILVER PAINT	DN300-600 (SS Disc)

BUTTERFLY VALVE (GEARBOX)



Note: 1. Upper & Lower stem will be used in DI Disc till size DN200, above DN200 Sizes Single stem will be use.
2. Upper & Lower Stem will be used in SS Disc size from DN40 to DN600

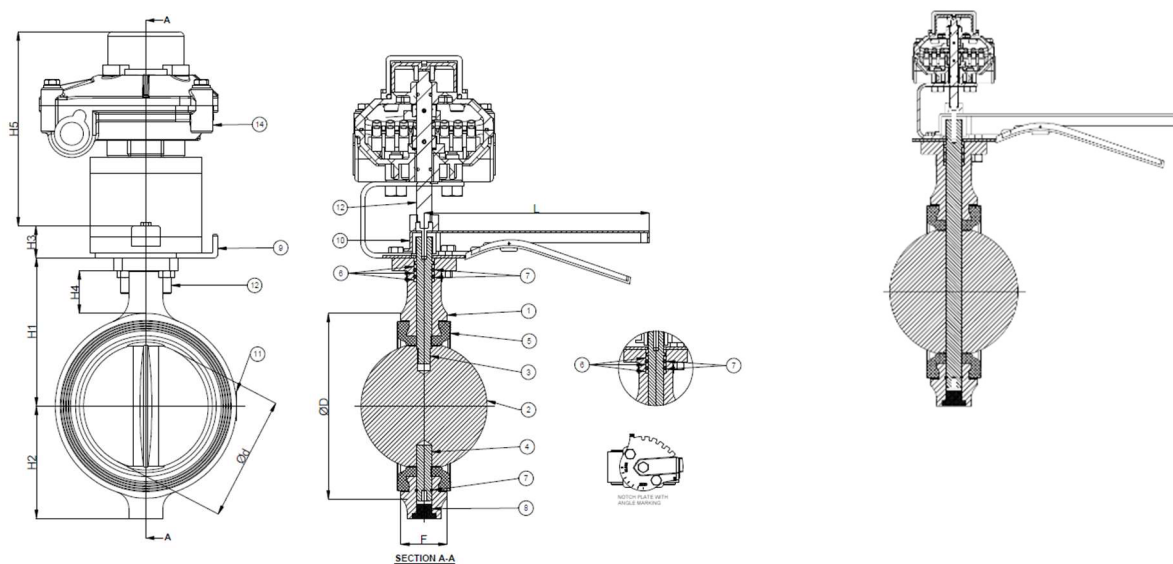
PART DESCRIPTIONS

SER NO.	PART NAME	MATERIAL	SPECIFICATION	QTY
1	BODY	CAST IRON / DUCTILE IRON (SG IRON)	IS:210 Gr. FG260 / IS:1865 Gr. 400/15(DI)	1
2	DISC	DUCTILE IRON(SG IRON) / STAINLESS STEEL	IS:1865 Gr.400/15(DI) /ASTM A351 CF8	1
3	UPPER STEM	STAINLESS STEEL	ASTM A276 Gr, SS 410	1
4	LOWER STEM	STAINLESS STEEL	ASTM A276 Gr, SS 410	1
5	SEAT	RUBBER	EPDM	1
6	BODY BUSH	NYLON	NYLON	TO SUIT
7	O-RINGS	RUBBER	EPDM	TO SUIT
8	BOTTOM PLUG	MILD STEEL (ZINC PLATED)	IS 2062	1
9	NAME PLATE	ALUMINIUM	-----	1
10	GEAR BOX	CAST IRON	IS.210 Gr. FG200	1
11	FASTENERS	MILD STEEL	ISO-898-1 Gr.8/8.8	TO SUIT
12	LIMIT SWITCH	-----	-----	1

OUTSIDE DIMENSIONS (mm)

SIZE DN	F±2	H1±5	H2±5	H3±5	H4±5	H5±20	ØD±3	Ød±10
50	41.5	67	111	50.5	62	123	97	220
65	44.5	74	118	50.5	62	123	111	220
80	44.5	85	127	50.5	62	123	128	220
100	50.5	101	145	50.5	64	123	160	220
125	54.5	120	162	50.5	68	123	192	220
150	54.5	134	174	50.5	68	123	213	220
200	59	162	220	51	82	123	271	220
250	66.5±3	225	285	65	118	123	325	311
300	76.5±3	240	315	65	124	123	376	311
350	90.5±3	285	368	80	152	123	440	355
400	101.5±3	315	408	80	176	123	493	472.5
450	112.5±3	358	427	82	157	123	542	472.5
500	125.5±3	375	458	85	167	123	584	512
600	152.5±4	456	545	85	202	123	690	512

BUTTERFLY VALVE (HANDLEVER)



PART DESCRIPTIONS

SER NO.	PART NAME	MATERIAL	SPECIFICATION	QTY
1	BODY	CAST IRON / DUCTILE IRON (SG IRON)	IS:210 Gr. FG260 / IS:1862 Gr.400/15(DI)	1
2	DISC	DUCTILE IRON(SG IRON) / STAINLESS STEEL	IS:1865 Gr.400/15(DI) / ASTM A351 CF8	1
3	UPPER STEM	STAINLESS STEEL	ASTM A276 Gr. SS 410	1
4	LOWER STEM	STAINLESS STEEL	ASTM A276 Gr. SS 410	1
5	SEAT	RUBBER	EPDM	1
6	BODY BUSH	NYLON	NYLON	TO SUIT
7	O-RINGS	RUBBER	EPDM	TO SUIT
8	BOTTOM PLUG	MILD STEEL (ZINC PLATED)	IS 2062	1
9	NOTCH PLATE	MILD STEEL (ZINC PLATED)	IS 2062	1
10	HAND LEVER	MILD STEEL (ZINC PLATED)	IS 2062	1
11	NAME PLATE	ALUMINIUM	-----	1
12	WASHER	STAINLESS STEEL	AISI 304	1
11	FASTENERS	MILD STEEL	ISO-898-1 Gr.8/8.8	TO SUIT
12	LIMIT SWITCH	-----	-----	1

OUTSIDE DIMENSIONS (mm)

SIZE DN	F±2	ØD±3	Ød	H2±5	H1±5	H3±5	H4±5	H5±20	L±10
40	34.5	83	39	61	106	23	62	123	178
50	41.5	97	50	67	111	23	62	123	178
65	44.5	111	65	74	118	28	62	123	215
80	44.5	128	78	85	127	28	64	123	215
100	50.5	160	97	101	145	30	68	123	266
125	54.5	192	121	120	162	30	68	123	266
150	54.5	213	144	134	174	30	82	123	266
200	59	271	195	162	220	36	118	123	345
250	66.5	325	252.5	225	285	38	124	123	420
300	76.5±3	376	300	240	315	38	152	123	420

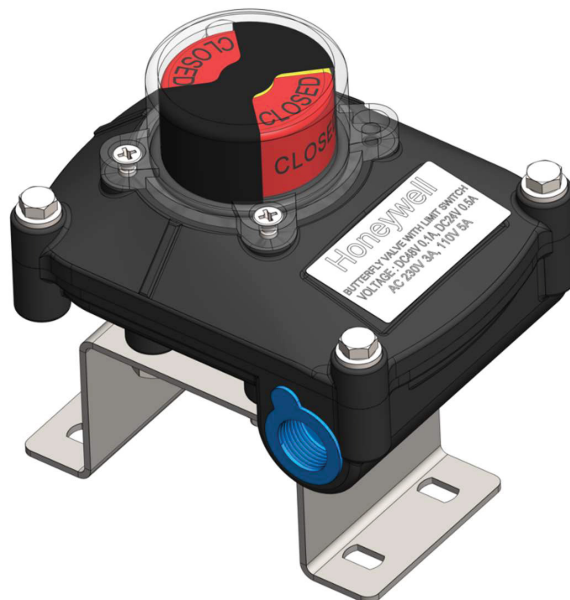
Note: 1. Upper & Lower stem will be used in DI Disc till size DN200, above DN200 Sizes Single stem will be use.
2. Upper & Lower Stem will be used in SS Disc size from DN40 to DN300

SIZE	Kv at Disc Opening Angle (m ³ /hr)								
	10°	20°	30°	40°	50°	60°	70°	80°	90°
DN40	0.0005	0.09	6	11	28	40	56	71	87
DN50	0.08	4.0	10	19	36	51	72	101	109
DN65	0.16	6.4	16	30	52	79	116	164	177
DN80	0.24	9.7	18	31	56	93	147	221	243
DN100	0.40	14	29	63	112	185	293	439	483
DN125	0.64	23	49	107	191	315	499	748	822
DN150	1.6	36	76	165	294	487	771	1156	1,270
DN200	2.4	72	153	332	591	977	1547	2321	2,550
DN250	3.3	123	260	564	1006	1664	2634	3951	4342
DN300	4.1	190	402	872	1554	2571	4070	6104	6708
DN350	5	292	618	1340	2388	3951	6254	9380	10308
DN400	7	401	850	1842	3284	5434	8600	12900	14176
DN450	10	532	1126	2441	4389	7197	11390	17085	18775
DN500	12	684	1448	3138	5592	9254	14645	21968	24140
DN600	19	1057	2232	4848	8640	14297	22626	33939	37295

LIMIT SWITCH

GENERAL

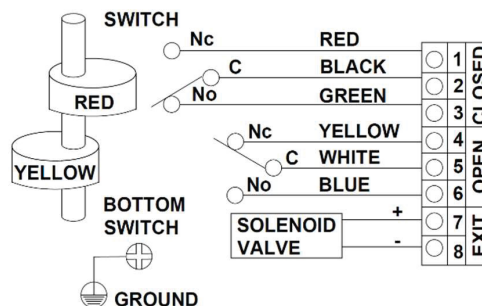
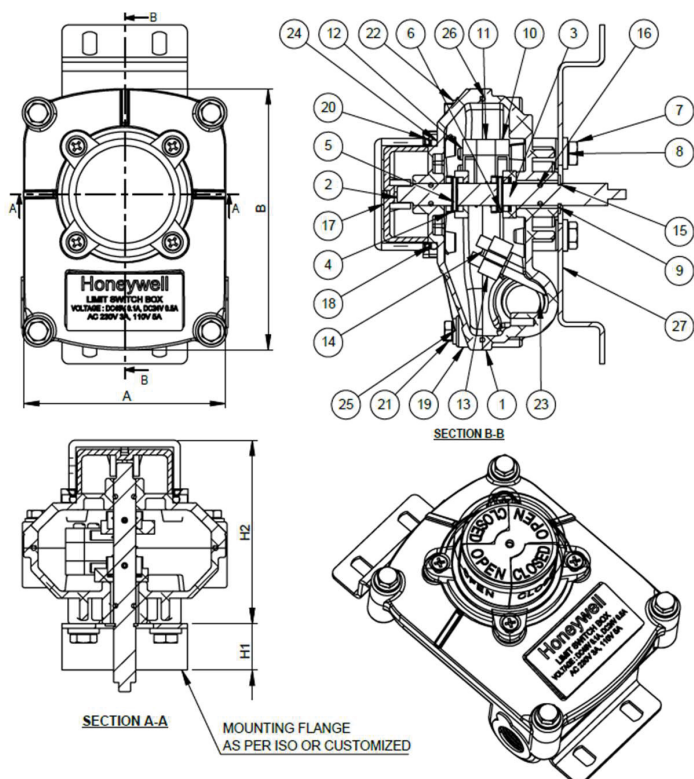
A limit switch monitors and provides feedback on the position of a valve or actuator (open, closed, or intermediate). It ensures that the system operates safely and



PRODUCT DATA

FEATURES	
SIZE	DN40-DN600
BODY	Aluminum pressure die casting
ENCLOSURE	O - ring sealed
RATING	IP67
TERMINAL CONNECTIONS	8
OPERATING VOLTAGE	DC48V 0.1A, DC24V 0.5A, AC230V 3A, 110V 5A

SPECIFICATIONS	
AMBIENT TEMP	0°C to 50°C
SWITCH	Honeywell micro switches
ELECTRICAL CONNECTIONS	M20x2
MOUNTING	Standard ISO mounting or customized mounting brackets
POWDER COATING	



PART DESCRIPTIONS

ITEM NO.	PART NUMBER	DESCRIPTION	QTY
1	BODY	ALUMINIUM (ADC 12)	1
2	SHAFT	SS304	1
3	CAM	PLASTIC	2
4	GEAR	PLASTIC	2
5	SPRING	SPRING	1
6	PIN	SS	2
7	BOLT	SS	4
8	WASHER	SS	4
9	BEARING BUSH	SS	1
10	SENSOR	PLASTIC	2
11	SENSOR SPACER	PLASTIC	1
12	SCREW	SS	2
13	WIRE CONNECTOR	PLASTIC	1
14	SCREW	SS	2
15	EXTERNAL CIRCLIP	SS	1
16	O-RING FOR SHAFT	EPDM	2
17	OPEN-CLOSE CAP	PLASTIC	1
18	COVER FOR OPEN CLOSE	PLASTIC	1
19	BODY COVER	ALUMINIUM (ADC 12)	1
20	SCREW	SS	4
21	BOLT	SS	4
22	WASHER	SS	4
23	RUBBER PLUG	EPDM	2
24	O-RING	EPDM	1
25	NAME PLATE	STICKER	1
26	O RINGS FOR COVER	EPDM	1
27	BRACKET	M.S	1

OUTSIDE DIMENSIONS (mm)

SIZE DN	A±5	B±5	H1±5	H2±5
----	87	112	--	79

Model Table for DI Disc (Gearbox)

SIZE	MODEL NUMBER	DESCRIPTION
DN50	BS-MWC4-PN16-0050	DN50 Manual Butterfly Valve, Gear Operated, Wafer, CI Valve Body and Powder Coated DI Disc, PN16
DN65	BS-MWC4-PN16-0065	DN65 Manual Butterfly Valve, Gear Operated, Wafer, CI Valve Body and Powder Coated DI Disc, PN16
DN80	BS-MWC4-PN16-0080	DN80 Manual Butterfly Valve, Gear Operated, Wafer, CI Valve Body and Powder Coated DI Disc, PN16
DN100	BS-MWC4-PN16-0100	DN100 Manual Butterfly Valve, Gear Operated, Wafer, CI Valve Body and Powder Coated DI Disc, PN16
DN125	BS-MWC4-PN16-0125	DN125 Manual Butterfly Valve, Gear Operated, Wafer, CI Valve Body and Powder Coated DI Disc, PN16
DN150	BS-MWC4-PN16-0150	DN150 Manual Butterfly Valve, Gear Operated, Wafer, CI Valve Body and Powder Coated DI Disc, PN16
DN200	BS-MWC4-PN16-0200	DN200 Manual Butterfly Valve, Gear Operated, Wafer, CI Valve Body and Powder Coated DI Disc, PN16
DN250	BS-MWC4-PN16-0250	DN250 Manual Butterfly Valve, Gear Operated, Wafer, CI Valve Body and Powder Coated DI Disc, PN16
DN300	BS-MWC4-PN16-0300	DN300 Manual Butterfly Valve, Gear Operated, Wafer, DI Valve Body and Powder Coated DI Disc, PN16
DN350	BS-MWC4-PN16-0350	DN350 Manual Butterfly Valve, Gear Operated, Wafer, DI Valve Body and Powder Coated DI Disc, PN16
DN400	BS-MWC4-PN16-0400	DN400 Manual Butterfly Valve, Gear Operated, Wafer, DI Valve Body and Powder Coated DI Disc, PN16
DN450	BS-MWC4-PN16-0450	DN450 Manual Butterfly Valve, Gear Operated, Wafer, DI Valve Body and Powder Coated DI Disc, PN16
DN500	BS-MWC4-PN16-0500	DN500 Manual Butterfly Valve, Gear Operated, Wafer, DI Valve Body and Epoxy Coated DI Disc, PN16
DN600	BS-MWC4-PN16-0600	DN600 Manual Butterfly Valve, Gear Operated, Wafer, DI Valve Body and Epoxy Coated DI Disc, PN16

Model Table for SS Disc (Gearbox)

SIZE	MODEL NUMBER	DESCRIPTION
DN50	BS-MWC4PN16-050-2	DN50 Manual Butterfly Valve, Gear Operated, Wafer, CI Valve Body and SS Disc, PN16
DN65	BS-MWC4PN16-065-2	DN65 Manual Butterfly Valve, Gear Operated, Wafer, CI Valve Body and SS Disc, PN16
DN80	BS-MWC4PN16-080-2	DN80 Manual Butterfly Valve, Gear Operated, Wafer, CI Valve Body and SS Disc, PN16
DN100	BS-MWC4PN16-0100-2	DN100 Manual Butterfly Valve, Gear Operated, Wafer, CI Valve Body and SS Disc, PN16
DN125	BS-MWC4PN16-0125-2	DN125 Manual Butterfly Valve, Gear Operated, Wafer, CI Valve Body and SS Disc, PN16
DN150	BS-MWC4PN16-0150-2	DN150 Manual Butterfly Valve, Gear Operated, Wafer, CI Valve Body and SS Disc, PN16
DN200	BS-MWC4PN16-0200-2	DN200 Manual Butterfly Valve, Gear Operated, Wafer, CI Valve Body and SS Disc, PN16
DN250	BS-MWC4PN16-0250-2	DN250 Manual Butterfly Valve, Gear Operated, Wafer, CI Valve Body and SS Disc, PN16
DN300	BS-MWC4PN16-0300-2	DN300 Manual Butterfly Valve, Gear Operated, Wafer, DI Valve Body and SS Disc, PN16
DN350	BS-MWC4PN16-0350-2	DN350 Manual Butterfly Valve, Gear Operated, Wafer, DI Valve Body and SS Disc, PN16
DN400	BS-MWC4PN16-0400-2	DN400 Manual Butterfly Valve, Gear Operated, Wafer, DI Valve Body and SS Disc, PN16
DN450	BS-MWC4PN16-0450-2	DN450 Manual Butterfly Valve, Gear Operated, Wafer, DI Valve Body and SS Disc, PN16
DN500	BS-MWC4PN16-0500-2	DN500 Manual Butterfly Valve, Gear Operated, Wafer, DI Valve Body and SS Disc, PN16
DN600	BS-MWC4PN16-0600-2	DN600 Manual Butterfly Valve, Gear Operated, Wafer, DI Valve Body and SS Disc, PN16

Model Table for DI Disc (Hand lever)

SIZE	MODEL NUMBER	DESCRIPTION
DN40	BS-HWC4-PN16-0040	DN40 Manual Butterfly Valve, Hand Lever, Wafer, CI Valve Body and Powder Coated DI Disc, PN16
DN50	BS-HWC4-PN16-0050	DN50 Manual Butterfly Valve, Hand Lever, Wafer, CI Valve Body and Powder Coated DI Disc, PN16
DN65	BS-HWC4-PN16-0065	DN65 Manual Butterfly Valve, Hand Lever, Wafer, CI Valve Body and Powder Coated DI Disc, PN16
DN80	BS-HWC4-PN16-0080	DN80 Manual Butterfly Valve, Hand Lever, Wafer, CI Valve Body and Powder Coated DI Disc, PN16
DN100	BS-HWC4-PN16-0100	DN100 Manual Butterfly Valve, Hand Lever, Wafer, CI Valve Body and Powder Coated DI Disc, PN16
DN125	BS-HWC4-PN16-0125	DN125 Manual Butterfly Valve, Hand Lever, Wafer, CI Valve Body and Powder Coated DI Disc, PN16
DN150	BS-HWC4-PN16-0150	DN150 Manual Butterfly Valve, Hand Lever, Wafer, CI Valve Body and Powder Coated DI Disc, PN16
DN200	BS-HWC4-PN16-0200	DN200 Manual Butterfly Valve, Hand Lever, Wafer, CI Valve Body and Powder Coated DI Disc, PN16
DN250	BS-HWC4-PN16-0250	DN250 Manual Butterfly Valve, Hand Lever, Wafer, CI Valve Body and Powder Coated DI Disc, PN16
DN300	BS-HWC4-PN16-0300	DN300 Manual Butterfly Valve, Hand Lever, Wafer, DI Valve Body and Powder Coated DI Disc, PN16

Model Table for SS Disc (Hand lever)

SIZE	MODEL NUMBER	DESCRIPTION
DN40	BS-HWC4PN16-0040-2	DN40 Manual Butterfly Valve, Hand Lever, Wafer, CI Valve Body and SS Disc, PN16
DN50	BS-HWC4PN16-0050-2	DN50 Manual Butterfly Valve, Hand Lever, Wafer, CI Valve Body and SS Disc, PN16
DN65	BS-HWC4PN16-0065-2	DN65 Manual Butterfly Valve, Hand Lever, Wafer, CI Valve Body and SS Disc, PN16
DN80	BS-HWC4PN16-0080-2	DN80 Manual Butterfly Valve, Hand Lever, Wafer, CI Valve Body and SS Disc, PN1
DN100	BS-HWC4PN16-0100-2	DN100 Manual Butterfly Valve, Hand Lever, Wafer, CI Valve Body and SS Disc, PN16
DN125	BS-HWC4PN16-0125-2	DN125 Manual Butterfly Valve, Hand Lever, Wafer, CI Valve Body and SS Disc, PN16
DN150	BS-HWC4PN16-0150-2	DN150 Manual Butterfly Valve, Hand Lever, Wafer, CI Valve Body and SS Disc, PN16
DN200	BS-HWC4PN16-0200-2	DN200 Manual Butterfly Valve, Hand Lever, Wafer, CI Valve Body and SS Disc, PN16
DN250	BS-HWC4PN16-0250-2	DN250 Manual Butterfly Valve, Hand Lever, Wafer, CI Valve Body and SS Disc, PN16
DN300	BS-HWC4PN16-0300-2	DN300 Manual Butterfly Valve, Hand Lever, Wafer, DI Valve Body and SS Disc, PN16

For more information,

<https://honeywellbuildings.in>

Tel: +91 124 4975000

Email: BuildingAutomation.BMSIndia@honeywell.com

Honeywell Building Automation

Unitech Trade Center, 5th Floor, Sector-43,

Block C. Sushant Lok Phase - I.

Gurgaon - 122 002. Haryana India

<https://www.honeywellbuildings.in/>

Honeywell