



**4MM THIN
FRONT PLATE**



**CURVED SWITCH
DESIGN FOR
PREMIUM LOOK**



**AVAILABLE
IN MULTIPLE
COLORS**



**REINFORCED WITH
A STRONG METAL
GRID PLATE**



**ISI MARKED
FAN SPEED
CONTROLLER**



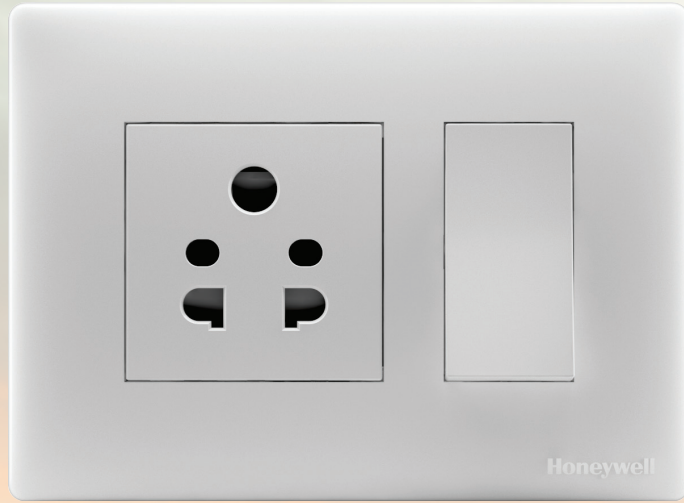
**BIS APPROVED
2.4A USB CHARGER**

HONEYWELL HORIZON

Blend of Design & Grace



Honeywell



HONEYWELL HORIZON

Blend of Design & Grace

Honeywell Horizon

Aesthetics is all about combining various elements of design in a visually appealing manner. Every colour and object you add contributes to the overall look and feel. So, if you are looking for the right elements to work together and create magic, then look no further.

Introducing Honeywell Horizon - the perfect blend of design and grace. Honeywell Horizon imparts a classy look by combining a stylish curved design, slim form factor and a choice of colours. Choose Honeywell Horizon and start designing aesthetic masterpieces.



**SLEEK
AND
STYLISH**

HONEYWELL HORIZON | Blend of Design & Grace

**4MM THIN
FRONT PLATE**

Honeywell Horizon brings together flair and function. The 4mm thin front plate is the slimmest in this segment. These super-slim front plates ensure that the switches blend with the wall thereby reducing the dust deposition at the edges. A perfect balance of stylish design and outstanding functionality, Honeywell Horizon effortlessly makes your space elegant.



HONEYWELL HORIZON | Blend of Design & Grace



CURVED SWITCH DESIGN FOR PREMIUM LOOK

Honeywell Horizon spices up the aesthetics with graceful curved accents. The geometric perfection of the curves that define Honeywell Horizon's design goes a long way in adding a premium look and feel.

CURVED BEYOND IMAGINATION



HONEYWELL HORIZON | Blend of Design & Grace

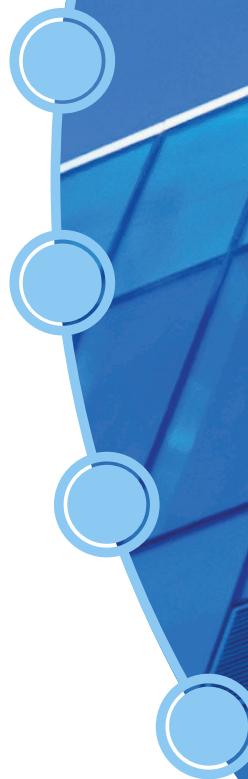


A SPECTACULAR SHOW OF COLOURS

HONEYWELL HORIZON | Blend of Design & Grace

**AVAILABLE
IN MULTIPLE
COLOURS**

Honeywell Horizon comes in a multitude of colours and brightens up the space by striking the perfect match of colours. Honeywell Horizon gives a great finishing touch, regardless of the hues and accents with which you have decorated.





HONEYWELL HORIZON | Blend of Design & Grace



STRONG AND RESILIENT

HONEYWELL HORIZON | Blend of Design & Grace

**REINFORCED
WITH A STRONG
METAL GRID
PLATE**

Honeywell Horizon is the first in its segment to offer metal grid plates for all modules. The metal grid plate underneath reinforces the front plate and increases its structural rigidity so that it remains intact even after years of rigorous use. Honeywell Horizon redefines sturdiness by complementing the classy design with robust underpinnings.





A BRIGHT STREAK OF QUALITY

HONEYWELL HORIZON | Blend of Design & Grace

ISI MARKED FAN SPEED CONTROLLER

Honeywell Horizon comes with impeccable safety and quality. The fan speed controller, for instance, bears the ISI mark and features a robust knob with firm grip. It ensures uniform fan speed and humming-free operation, delivers 99.99% efficiency, and imparts the feeling of reassuring quality every time.





AN ELEGANT
INTERPLAY
OF STYLE
AND POWER

**BIS APPROVED
2.4A USB
CHARGER**

Charge your electronic devices in style with the BIS approved Honeywell Horizon 2.4A USB charger. The charger is flush with the frontplate and provides clean aesthetics. It is rated for higher output, and it charges your electronic devices quickly and reliably.



HONEYWELL HORIZON | Blend of Design & Grace

HONEYWELL HORIZON WIRING DEVICES

SWITCHES - WHITE

ItemCode	Description	Module	Carton Qty.*
HW501WHI	6AX One Way Switch	1M	20 / 360
HW502WHI	6AX Two Way Switch	1M	20 / 360
HW503WHI	6AX One Way Switch with Indicator	1M	20 / 360
HW411WHI	16AX One Way Switch	1M	20 / 360
HW412WHI	16AX Two Way Switch	1M	20 / 360
HW413WHI	16AX One Way Switch with Indicator	1M	20 / 360
HW220WHI	25A SP One Way Switch with Indicator	1M	20 / 360
HW224WHI	32A DP Switch with Indicator	2M	12 / 216
HW505WHI	6A Bell Push Switch	1M	20 / 360
HW504WHI	6A Bell Push Switch with Indicator	2M	12 / 216



HW501WHI

SOCKETS - WHITE

ItemCode	Description	Module	Carton Qty.*
HW420WHI	6A Universal Socket	2M	12 / 216
HW421WHI	6A Round Pin Socket (ISI Marked)	2M	12 / 216
HW424WHI	6/16A Socket (ISI Marked)	2M	12 / 216
HW426WHI	International Socket For 6/10/13A	2M	12 / 216
HW425WHI	25A Socket	2M	12 / 216



HW420WHI



White Color SKUs comes with Antibacterial Feature

FAN REGULATOR & DIMMER - WHITE

ItemCode	Description	Module	Carton Qty.*
HW471WHI	100W 4 Step Fan Step Controller (ISI Marked)	1M	15 / 270
HW472WHI	120W 5 Step Fan Step Controller (ISI Marked)	2M	12 / 216
HW480WHI	400W Dimmer	2M	10 / 180



HW472WHI

MINI TRIP MCB & MOTOR STARTER - WHITE

ItemCode	Description	Module	Carton Qty.*
HW217WHI	25A Motor Starter	2M	6 / 90
HW227WHI	25A SP Minitrip MCB	1M	12 / 180
HW228WHI	25A DP Minitrip MCB	2M	6 / 90



HW227WHI

COMMUNICATION ACCESSORIES - WHITE

ItemCode	Description	Module	Carton Qty.*
HW493WHI	RJ45 CAT6A	1M	20 / 360
HW491WHI	RJ45 Receptor	1M	20 / 360
HW492WHI	RJ11 2 Line with Shutter	1M	20 / 360



HW491WHI

SUPPORT ACCESSORIES - WHITE

ItemCode	Description	Module	Carton Qty.*
HW441WHI	Blank Plate	1M	20 / 360
HW451WHI	TV Coaxial Socket	1M	20 / 160
HW462WHI	TV Cable Outlet	1M	20 / 160
HW595WHI	Red Neon Indicator	1M	20 / 360
HW586WHI	2.1A 1 Port USB Charger	1M	15 / 270
HW587WHI	2.4A 2 Port USB Charger	2M	10 / 180




HW441WHI





HW595WHI

HONEYWELL HORIZON WIRING DEVICES

HOSPITALITY ACCESSORIES - WHITE

	ItemCode	Description	Module	Carton Qty.*
 HW530WHI	HW901WHI	DND Indicator	1M	20 / 360
	HW414WHI	Two Way Switch with DND Mark	1M	20 / 360
	HW902WHI	MMR Indicator	1M	20 / 360
	HW415WHI	Two Way Switch with MMR Mark	1M	20 / 360
	HW529WHI	Shaver Socket	3M	1 / 6
	HW527WHI	Energy Key Tag with Time Delay	3M	1 / 8
	HW530WHI	LED Foot Lamp	2M	10 / 60

FRONT PLATES - WHITE

	ItemCode	Description	Module	Carton Qty.*
 HW101WHI	HW101WHI	1 Module Front Plate WHI	1M	10 / 180
	HW102WHI	2 Module Front Plate WHI	2M	10 / 180
	HW103WHI	3 Module Front Plate WHI	3M	8 / 144
	HW104WHI	4 Module Front Plate WHI	4M	8 / 144
 HW106WHI	HW106WHI	6 Module Front Plate WHI	6M	8 / 80
	HW18HWHI	8 Module Horizontal Front Plate WHI	8M (H)	4 / 72
	HW18VWHI	8 Module Square Front Plate WHI	8M (S)	4 / 64
	HW112WHI	12 Module Front Plate WHI	12M	4 / 40
	HW116WHI	16 Module Front Plate WHI	16M	4 / 40
	HW118WHI	18 Module Front Plate WHI	18M	3 / 21

SWITCHES - JET BLACK

	ItemCode	Description	Module	Carton Qty.*
	HW501BLK	6AX One Way Switch	1M	20 / 360
	HW502BLK	6AX Two Way Switch	1M	20 / 360
	HW411BLK	16AX One Way Switch	1M	20 / 360
	HW413BLK	16AX One Way Switch with Indicator	1M	20 / 360
	HW220BLK	25A SP One Way Switch with Indicator	1M	20 / 360
	HW224BLK	32A DP Switch with Indicator	2M	12 / 216
	HW505BLK	6A Bell Push Switch	1M	20 / 360

SOCKETS - JET BLACK

	ItemCode	Description	Module	Carton Qty.*
	HW420BLK	6A Universal Socket	2M	12 / 216
	HW424BLK	6/16A Socket (ISI Marked)	2M	12 / 216
	HW426BLK	International Socket For 6/10/13A	2M	12 / 216

FAN REGULATOR - JET BLACK

	ItemCode	Description	Module	Carton Qty.*
	HW471BLK	100W 4 Step Fan Speed Controller (ISI Marked)	1M	15 / 270
	HW472BLK	120W 5 Step Fan Speed Controller (ISI Marked)	2M	12 / 216

MINI TRIP MCB & MOTOR STARTER - JET BLACK

	ItemCode	Description	Module	Carton Qty.*
	HW217BLK	25A Motor Starter	2M	6 / 90
	HW227BLK	25A SP Minitrip MCB	1M	12 / 180

HONEYWELL HORIZON WIRING DEVICES

COMMUNICATION ACCESSORIES - JET BLACK

ItemCode	Description	Module	Carton Qty.*
HW493BLK	RJ45 CAT6A	1M	20 / 360
HW491BLK	RJ45 Receptor	1M	20 / 360
HW492BLK	RJ11 2 Line with Shutter	1M	20 / 360

SUPPORT ACCESSORIES - JET BLACK

ItemCode	Description	Module	Carton Qty.*
HW441BLK	Blank Plate	1M	20 / 360
HW451BLK	TV Coaxial Socket	1M	20 / 160
HW586BLK	2.1A 1 Port USB Charger	1M	15 / 270
HW587BLK	2.4A 2 Port USB Charger	2M	10 / 180

HOSPITALITY ACCESSORIES - JET BLACK

ItemCode	Description	Module	Carton Qty.*
HW901BLK	DND Indicator	1M	20 / 360
HW414BLK	Two Way Switch with DND Mark	1M	20 / 360
HW902BLK	MMR Indicator	1M	20 / 360
HW415BLK	Two Way Switch with MMR Mark	1M	20 / 360
HW529BLK	Shaver Socket	3M	1 / 6
HW527BLK	Energy Key Tag with Time Delay	3M	1 / 8
HW530BLK	LED Foot Lamp	2M	10 / 60

FRONT PLATES - JET BLACK



HW101BLK



HW102BLK

ItemCode	Description	Module	Carton Qty.*
HW101BLK	1 Module Front Plate BLK	1M	10 / 180
HW102BLK	2 Module Front Plate BLK	2M	10 / 180
HW103BLK	3 Module Front Plate BLK	3M	8 / 144
HW104BLK	4 Module Front Plate BLK	4M	8 / 144
HW106BLK	6 Module Front Plate BLK	6M	8 / 80
HW18HBLK	8 Module Horizontal Front Plate BLK	8M (H)	4 / 72
HW18VBLK	8 Module Square Front Plate BLK	8M (S)	4 / 64
HW112BLK	12 Module Front Plate BLK	12M	4 / 40
HW116BLK	16 Module Front Plate BLK	16M	4 / 40
HW118BLK	18 Module Front Plate BLK	18M	3 / 21

SWITCHES - MAGNESIUM GREY

ItemCode	Description	Module	Carton Qty.*
HW501GRY	6AX One Way Switch	1M	20 / 360
HW502GRY	6AX Two Way Switch	1M	20 / 360
HW411GRY	16AX One Way Switch	1M	20 / 360
HW413GRY	16AX One Way Switch with Indicator	1M	20 / 360
HW220GRY	25A SP One Way Switch with Indicator	1M	20 / 360
HW224GRY	32A DP Switch with Indicator	2M	12 / 216
HW505GRY	6A Bell Push Switch	1M	20 / 360

HONEYWELL HORIZON WIRING DEVICES

SOCKETS - MAGNESIUM GREY

ItemCode	Description	Module	Carton Qty.*
HW420GRY	6A Universal Socket	2M	12 / 216
HW424GRY	6/16A Socket (ISI Marked)	2M	12 / 216
HW426GRY	International Socket For 6/10/13A	2M	12 / 216

FAN REGULATOR - MAGNESIUM GREY

ItemCode	Description	Module	Carton Qty.*
HW471GRY	100W 4 Step Fan Speed Controller (ISI Marked)	1M	15 / 270
HW472GRY	120W 5 Step Fan Speed Controller (ISI Marked)	2M	12 / 216

MINI TRIP MCB & MOTOR STARTER - MAGNESIUM GREY

ItemCode	Description	Module	Carton Qty.*
HW217GRY	25A Motor Starter	2M	6 / 90
HW227GRY	25A SP Minitrip MCB	1M	12 / 180

COMMUNICATION ACCESSORIES - MAGNESIUM GREY

ItemCode	Description	Module	Carton Qty.*
HW493GRY	RJ45 CAT6A	1M	20 / 360
HW491GRY	RJ45 Receptor	1M	20 / 360
HW492GRY	RJ11 2 Line with Shutter	1M	20 / 360

SUPPORT ACCESSORIES - MAGNESIUM GREY

ItemCode	Description	Module	Carton Qty.*
HW441GRY	Blank Plate	1M	20 / 360
HW451GRY	TV Coaxial Socket	1M	20 / 160
HW586GRY	2.1A 1 Port USB Charger	1M	15 / 270
HW587GRY	2.4A 2 Port USB Charger	2M	10 / 180

HOSPITALITY ACCESSORIES - MAGNESIUM GREY

ItemCode	Description	Module	Carton Qty.*
HW901GRY	DND Indicator	1M	20 / 360
HW414GRY	Two Way Switch with DND Mark	1M	20 / 360
HW902GRY	MMR Indicator	1M	20 / 360
HW415GRY	Two Way Switch with MMR Mark	1M	20 / 360
HW529GRY	Shaver Socket	3M	1 / 6
HW527GRY	Energy Key Tag with Time Delay	3M	1 / 8
HW530GRY	LED Foot Lamp	2M	10 / 60

HONEYWELL HORIZON WIRING DEVICES

FRONT PLATES - MAGNESIUM GREY

ItemCode	Description	Module	Carton Qty.*
HW101GRY	1 Module Front Plate GRY	1M	10 / 180
HW102GRY	2 Module Front Plate GRY	2M	10 / 180
HW103GRY	3 Module Front Plate GRY	3M	8 / 144
HW104GRY	4 Module Front Plate GRY	4M	8 / 144
HW106GRY	6 Module Front Plate GRY	6M	8 / 80
HW18HGRY	8 Module Horizontal Front Plate GRY	8M (H)	4 / 72
HW18VGRY	8 Module Square Front Plate GRY	8M (S)	4 / 64
HW112GRY	12 Module Front Plate GRY	12M	4 / 40
HW116GRY	16 Module Front Plate GRY	16M	4 / 40
HW118GRY	18 Module Front Plate GRY	18M	3 / 21

FRONT PLATES - CRIMSON RED

ItemCode	Description	Module	Carton Qty.*
HW101RED	1 Module Front Plate RED	1M	10 / 180
HW102RED	2 Module Front Plate RED	2M	10 / 180
HW103RED	3 Module Front Plate RED	3M	8 / 144
HW104RED	4 Module Front Plate RED	4M	8 / 144
HW106RED	6 Module Front Plate RED	6M	8 / 80
HW18HRED	8 Module Horizontal Front Plate RED	8M (H)	4 / 72
HW18VRED	8 Module Square Front Plate RED	8M (S)	4 / 64
HW112RED	12 Module Front Plate RED	12M	4 / 40
HW116RED	16 Module Front Plate RED	16M	4 / 40
HW118RED	18 Module Front Plate RED	18M	3 / 21



HW101RED



HW106RED

FRONT PLATES - CHAMPAGNE GOLD

ItemCode	Description	Module	Carton Qty.*
HW101GLD	1 Module Front Plate GLD	1M	10 / 180
HW102GLD	2 Module Front Plate GLD	2M	10 / 180
HW103GLD	3 Module Front Plate GLD	3M	8 / 144
HW104GLD	4 Module Front Plate GLD	4M	8 / 144
HW106GLD	6 Module Front Plate GLD	6M	8 / 80
HW18HGLD	8 Module Horizontal Front Plate GLD	8M (H)	4 / 72
HW18VGLD	8 Module Square Front Plate GLD	8M (S)	4 / 64
HW112GLD	12 Module Front Plate GLD	12M	4 / 40
HW116GLD	16 Module Front Plate GLD	16M	4 / 40
HW118GLD	18 Module Front Plate GLD	18M	3 / 21



HW101GLD



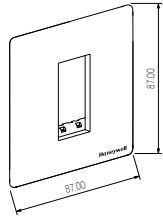
HW106GLD

FRONT PLATES - RED OAK WOOD

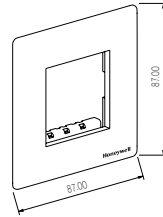
ItemCode	Description	Module	Carton Qty.*
HW101WDD	1 Module Front Plate WDD	1M	10 / 180
HW102WDD	2 Module Front Plate WDD	2M	10 / 180
HW103WDD	3 Module Front Plate WDD	3M	8 / 144
HW104WDD	4 Module Front Plate WDD	4M	8 / 144
HW106WDD	6 Module Front Plate WDD	6M	8 / 80
HW18HWDD	8 Module Horizontal Front Plate WDD	8M (H)	4 / 72
HW18VWDD	8 Module Square Front Plate WDD	8M (S)	4 / 64
HW112WDD	12 Module Front Plate WDD	12M	4 / 40
HW116WDD	16 Module Front Plate WDD	16M	4 / 40
HW118WDD	18 Module Front Plate WDD	18M	3 / 21

FRONT PLATES

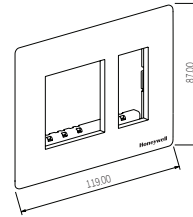
DIMENSIONS



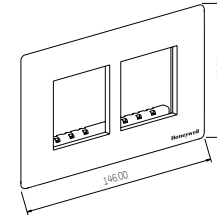
1M



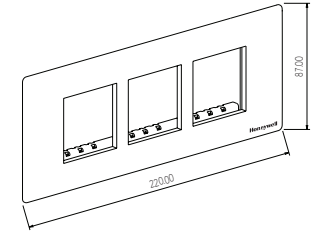
2M



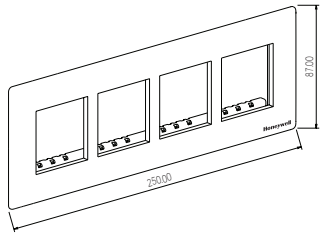
3M



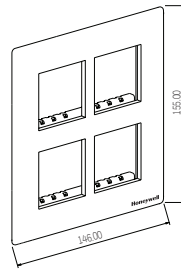
4M



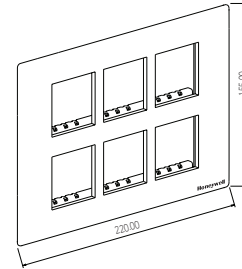
6M



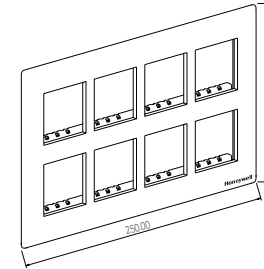
8M (H)



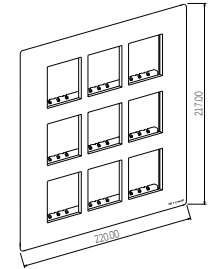
8M (S)



12M



16M

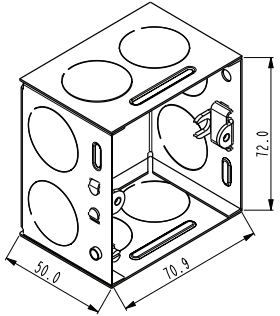


18M

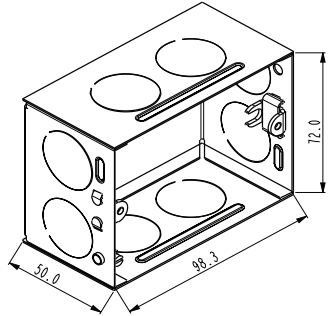
All dimensions are in mm.

METAL BOXES

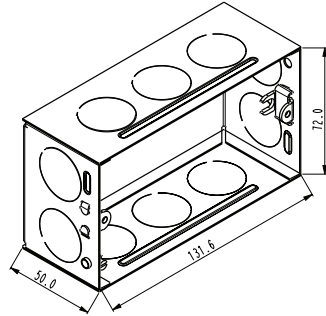
DIMENSIONS



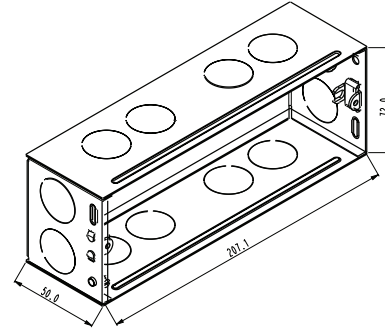
1M & 2M



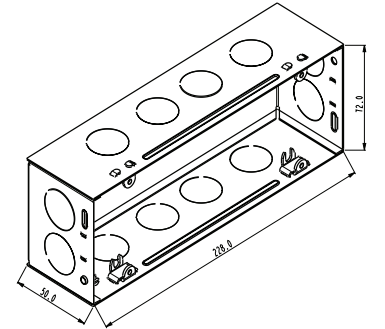
3M



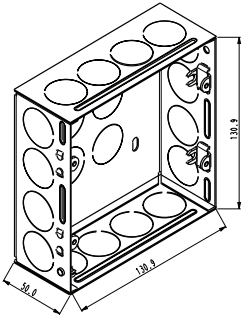
4M



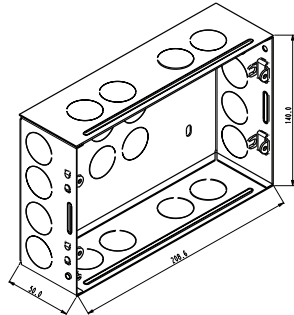
6M



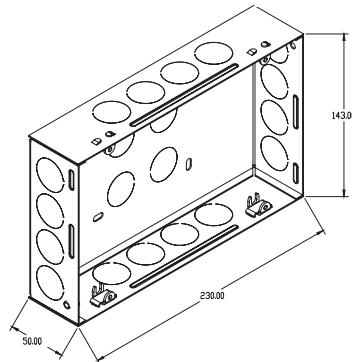
8M (H)



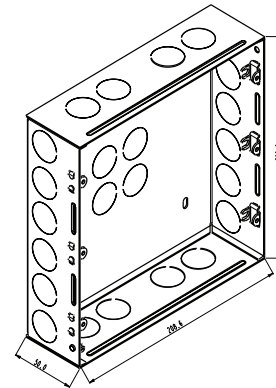
8M (S)



12M



16M

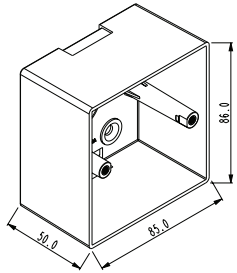


18M

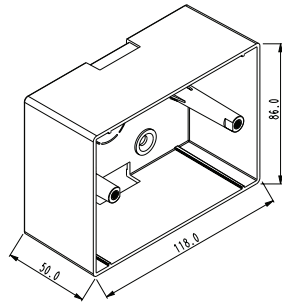
All dimensions are in mm.

PLASTIC SURFACE BOXES

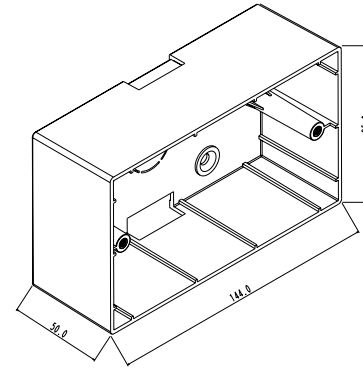
DIMENSIONS



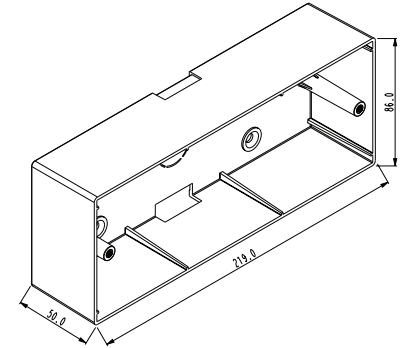
1M & 2M



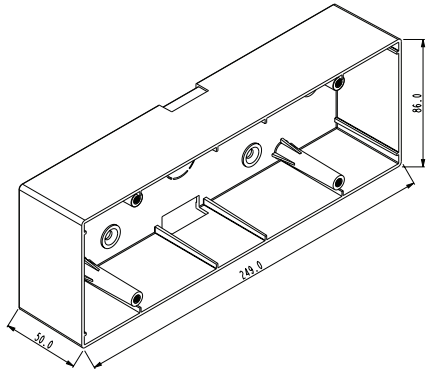
3M



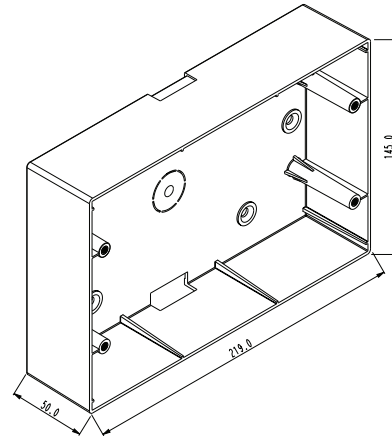
4M



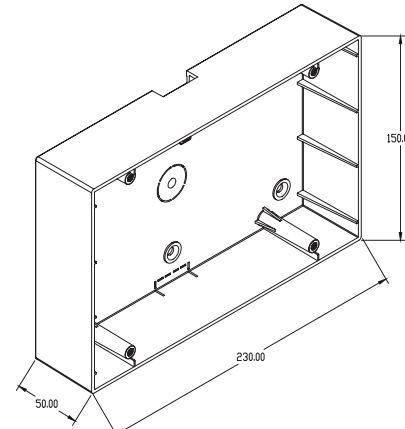
6M



8M



12M



16M

All dimensions are in mm.

GURUGRAM

Unitech Trade Center,
5th Floor, Sector 43, Block C,
Sushant Lok, Phase 1,
Gurgaon - 122 022
Fax: +91-124-6715014

BARODA

Ground Floor, 1965,
Alembic City Avenue, Alembic Campus,
Alembic Road, Vadodara - 390003

PUNE

Plot No. 56/57,
Hadapsar Industrial Estate,
Pune - 411 013
Fax: +91-20-66039800

KOLKATA

Srijan Techpark,
8th Floor, DN-52,
Salt Lake, Sector-V,
Kolkata - 700 091
Fax: +91-33-66283701

BENGALURU

Honeywell Camp II,
Bldgs 9A & 9B, Plot C2, RMZ Ecoworld,
Varturhobli, Sarjapur Marathahalli, Outer
Ring Road, Bengaluru - 560103

CHENNAI

5th, 6th & 7th Floor,
KRM Plaza, North Tower,
#2 Harrington Road,
Chetpet, Chennai - 600031

HYDERABAD

8-2-418, Krishnama House,
3rd Floor, Road No. 7,
Banjara Hills,
Hyderabad - 500 034
Fax: +91-40-66030971

Note: Due to continuous improvement in product design and development,
actual product and color may vary because of printing limitations.

**FOR FURTHER DETAILS,
PLEASE REACH US AT :**

Toll Free Number : 1800-103-3848
Monday to Sunday : 10AM - 7PM
Whatsapp : +91 81306-91299
email : eesteamindia@honeywell.com
website : honeywellsmarthomes.com