

L-PCM06B

6.5" METAL CEILING LOUDSPEAKER WITH METAL DOME

- Clear and stereo audio performance
- Cone edge with damp glue for longer operation life
- Sturdy press fit metal grille appearance
- Simple power setting
- Flush-mounting system for fast and easy installation
- CE and RoHS complied



PRODUCT DESCRIPTION

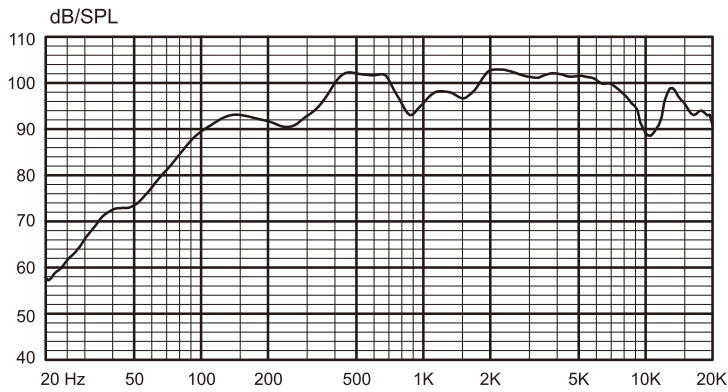
L-PCM06B is a cost-competitive ceiling loudspeaker which has an excellent audio performance and an esthetic appealing enclosure. Its low-profile, white color design blends easily most interiors in locations such as hotels, warehouses, schools, office buildings, stadiums and restaurants. This full range loudspeaker features a high sound pressure level and a wide frequency

response range. It has a built-in 6W integrative-cone speaker and a 100V matching transformer mounted back dome. Supplied with a metal back dome, the components inside are well protected in case of emergency. It is CE and RoHS complied.

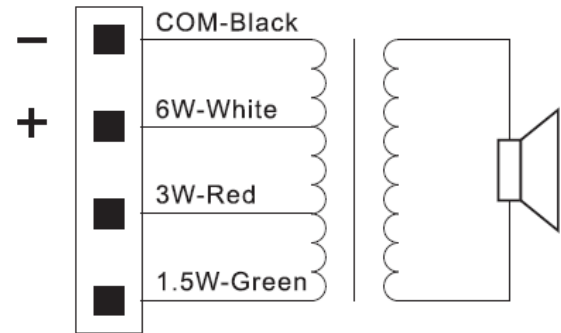
Technical Specification

Max power	9 W	Rated impedance	1.7k Ω / 3.3k Ω / 6.7 K Ω
Rated power	6 W	Connector	Push-in terminal block
Power taps @ 100V	6 W / 3W / 1.5 W	Dimensions (Φ × H)	Φ 200 × 100 mm
SPL at 6W / 1W (150Hz-20kHz, 1m)	100 dB / 92 dB	Hole cut-out size	Φ 175mm
Frequency response (-10dB)	110 Hz - 20 KHz	Weight	1.08 Kg
Dispersion angle (1 KHz / -6 dB)	180 °	Color	White RAL 9003)
Rated input voltage	100 V / 70 V	Speaker size	6.5"
		Operating temperature	-25 °C to + 55 °C
		Storage temperature	-40 °C to + 70 °C
		Relative humidity	< 95 %

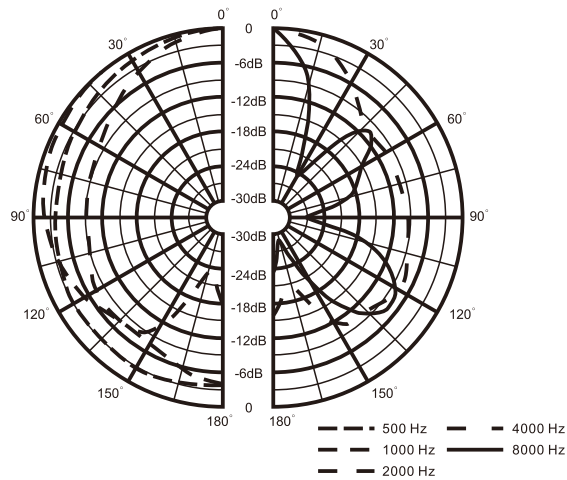
Frequency Response:



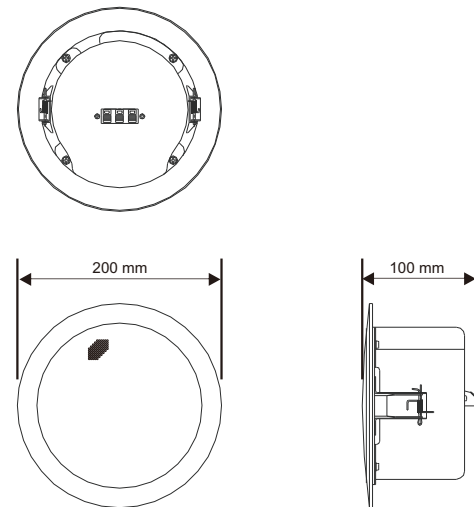
Circuit Diagram:



Polar Diagram



Three View Diagram



For more information,
<https://honeywellbuildings.in>
 Call: 1-800-103-0339
 Email: HBT-Indiabuildings@honeywell.com

Honeywell HBT India Buildings
 Unitech Trade Center, 5th Floor, Sector-43,
 Block C, Sushant Lok Phase - I,
 Gurgaon - 122 002

www.honeywell.com

© 2020 Honeywell International Inc.

L-PCM06B
6.5" METAL
CEILING LOUDSPEAKER
WITH METAL DOME

Honeywell