

5MP AHD IR BULLET CAMERA

HABC-5005PI / HABC-5005PIV

FEATURES

- 5MP real time high resolution
- CMOS progressive scan
- True day/night capability
- TDN, AWB, AGC
- 3.6mm & 2.8-12mm lens
- IR distance: up to 40 meters
- Power: 12VDC
- Dual output AHD & CVBS



HABC-5005PI



HABC-5005PIV

HABC-5005PI/ HABC-5005PIV

5 MP AHD IR Bullet Cameras

TECHNICAL SPECIFICATIONS

Part Code	HABC-5005PI	HABC-5005PIV
System		
Video Standard	PAL/NTSC	
Scanning System	Progressive	
Image Sensor	1/2.5" CMOS sensor	
Resolution	5M	
Number of Pixels	5M:2592*1944	
Minimum Illumination	0.01Lux BW, 0 Lux IR	
Video Output	AHD BNC, CVBS terminal	
Video Frame Rate	20 - 30 fps (PAL/NTSC)	
RF Option	Internal	
Automatic Electronic Shutter	AUTO, PAL:1/25 s~ 1/10,000 s NTSC: 1/30 s to 1/10,000 s	
Lens Type	3.6 mm	2.8 - 12 mm
IR LEDES	14 μ x 20PCS	42 μ x 4PCS
IR Illumination Distance	Up to 25 M	Up to 40 M
SNR	>50 dB	
Day/Night	Yes	
Automatic Gain Control	Auto	
White Balance	Auto / Manual	
Digital Noise Reduction	Yes	
WDR	DWDR	
OSD	Yes	
Electrical		
Input Voltage	DC12V \pm 10%, 700mA	DC12V \pm 10%, 750mA
Power Consumption	6W \pm 10%	
Mechanical		
Dimensions	158(W) x 73(H) x 76(D)mm	211(W) x 92(H) x 90(D)mm
Weight	650 g	1400g
Construction	Metal Housing	
Connectors	Video output: AHD BNC connector; CVBS terminal, Power input: 2.1 mm plug	

HABC-5005PI/ HABC-5005PIV

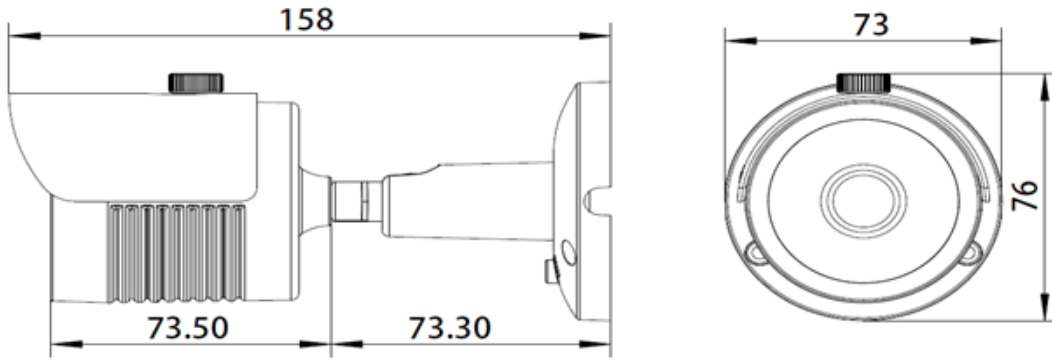
5 MP AHD IR Bullet Cameras

Environmental	
Operating Temperature	-10°C ~ +60°C
Relative Humidity	95% Max
IP Rating	IP67
Regulatory	
Certification	CE
System Compatibility	
Compatible DVR	AHD DVR

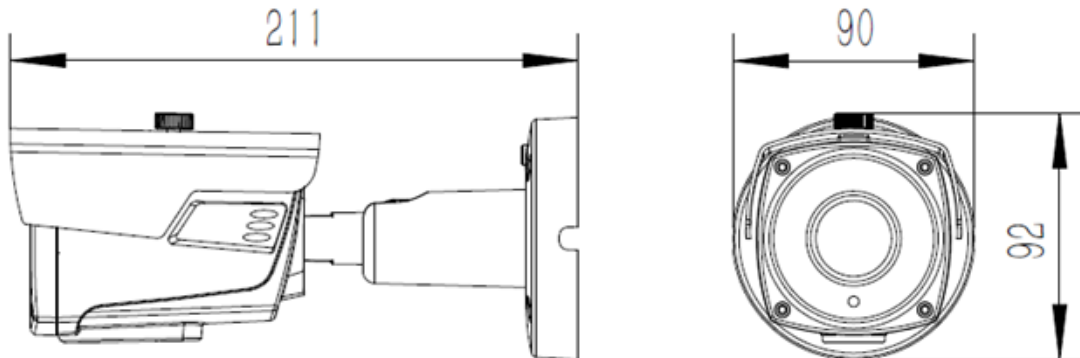
Note: Honeywell reserves the right, without notification, to make changes in product design and/or specifications.

Dimensions (mm)

HABC-5005PI



HABC-5005PIV



HABC-5005PI/ HABC-5005PIV

5 MP AHD IR Bullet Cameras

ORDERING INFORMATION

TYPE	DESCRIPTION
HABC-5005PI	1/2.5" CMOS Sensor, 5 MP AHD, TDN, DNR, DWDR, 3.6mm, IR Bullet Camera, 12 VDC
HABC-5005PIV	1/2.5" CMOS Sensor, 5 MP AHD, TDN, DNR, DWDR, 2.8 - 12 mm, IR Bullet Camera, 12 VDC

For more information,

<https://www.security.honeywell.com>

<https://honeywellbuildings.in>

Tel : +91 124 4975000

Email: HBT-Indiabuildings@honeywell.com

Honeywell HBT India Buildings

Unitech Trade Center, 5th Floor, Sector-43,
Block C, Sushant Lok Phase - I, Gurugram -
122 002

Haryana India

www.honeywell.com

HABC-5005PI/ HABC-5005PIV
5 MP AHD IR Bullet Cameras

Honeywell