

# 5MP AHD IR DOME CAMERA

## HADC-5005PI / HADC-5005PIV

### FEATURES

- 5MP real time high resolution
- CMOS progressive scan
- True day/night capability
- Minimum illumination: 0 Lux (IR ON)
- TDN, AWB, AGC, Defog
- 3.6mm & 2.8-12mm lens
- IR distance: up to 30 meters
- Power: 12VDC
- Vandal resistant
- Dual output AHD & CVBS



**HADC-5005PI**



**HADC-5005PIV**

# HADC-5005PI / HADC-5005PIV

## 5MP AHD IR DOME CAMERA

### TECHNICAL SPECIFICATIONS

Part Code	HABC-5005PI	HABC-5005PIV
System		
Video Standard	PAL/NTSC	
Scanning System	Progressive	
Image Sensor	1/2.5" CMOS sensor	
Resolution	5M	
Number of Pixels	5M:2592*1944	
Minimum Illumination	0.01Lux BW, 0 Lux IR	
Video Output	AHD BNC, CVBS terminal	
Video Frame Rate	20 - 30 fps (PAL/NTSC)	
RF Option	Internal	
Automatic Electronic Shutter	AUTO, PAL:1/25 s~ 1/10,000 s NTSC: 1/30 s to 1/10,000 s	
Lens Type	3.6 mm	2.8 - 12 mm
IR LEDES	14 $\mu$ x 18 PCS	14 $\mu$ x 24PCS
IR Illumination Distance	Up to 20 M	Up to 30 M
SNR	>50 dB	
Day/Night	Yes	
Automatic Gain Control	Auto	
White Balance	Auto / Manual	
Digital Noise Reduction	Yes	
WDR	Yes	
OSD	Yes	
Electrical		
Input Voltage	DC12V $\pm$ 10%, 550mA	DC12V $\pm$ 10%, 750mA
Power Consumption	6W $\pm$ 10%	
Mechanical		
Dimensions	93(W) x 74(H) mm	119 (W) x 98 (H) mm
Weight	400 g	800g
Construction	Metal Housing	
Connectors	Video output: AHD BNC connector; CVBS terminal, Power input: 2.1 mm plug	

# HADC-5005PI / HADC-5005PIV

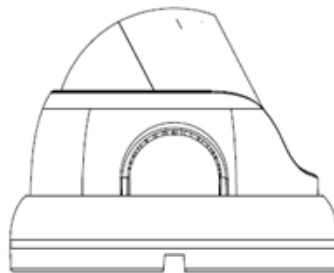
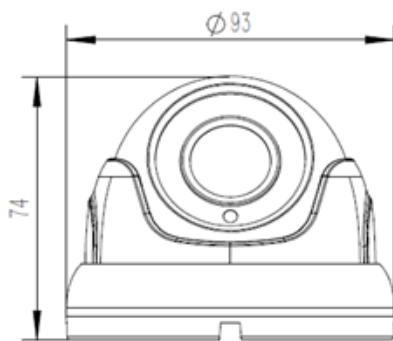
## 5 MP AHD IR Bullet Cameras

Environmental	
Operating Temperature	-10°C ~ +60°C
Relative Humidity	95% Max
IP Rating	IP67
Regulatory	
Certification	CE
System Compatibility	
Compatible DVR	AHD DVR

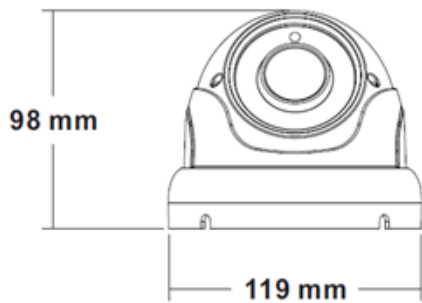
Note: Honeywell reserves the right, without notification, to make changes in product design and/or specifications.

### Dimensions (mm)

#### HADC-5005PI



#### HADC-5005PIV



# HADC-5005PI / HADC-5005PIV

## 5MP AHD IR DOME CAMERA

### ORDERING INFORMATION

TYPE	DESCRIPTION
HADC-5005PI	1/2.5" CMOS Sensor, 5 MP AHD, TDN, DNR, DWDR, 3.6mm, IR Dome Camera , 12 VDC
HADC-5005PIV	1/2.5" CMOS Sensor, 5 MP AHD, TDN, DNR, DWDR, 2.8 - 12 mm, IR Dome Camera , 12 VDC

**For more information,**

<https://www.security.honeywell.com>

<https://honeywellbuildings.in>

Tel : +91 124 4975000

Email: [HBT-Indiabuildings@honeywell.com](mailto:HBT-Indiabuildings@honeywell.com)

**Honeywell HBT India Buildings**

Unitech Trade Center, 5th Floor, Sector-43,  
Block C, Sushant Lok Phase - I, Gurugram -  
122 002

Haryana India

[www.honeywell.com](http://www.honeywell.com)

© 2020 Honeywell International Inc.

**HADC-5005PI / HADC-5005PIV  
5MP AHD IR DOME CAMERA**

**Honeywell**