

PERFORMANCE PRO SERIES HP4B2



4MP Network Bullet IR Camera

OPERATIONAL	
Video Standard	PAL/NTSC
Image Sensor	1/2.7" CMOS
Number Of Pixels (H × V)	2560(H) × 1440(V)
Minimum Illumination	0.04 lux @ F2.2, AGC ON 0 lux with IR ON
S/N Ratio	> 50 dB
Electronic Shutter Speed	1/25s ~ 1/ 100,000s
IR Distance	Distance up to 30 – 50 m
Day/Night	Auto/Day/Night/Timing
Backlight Compensation	BLC, HLC
White Balance	Auto/Indoor/Outdoor/Manual
Wide Dynamic Range	Digital WDR
Noise Reduction	3D DNR
Privacy Masking	Off / On (4 Areas)
Motion Detection	Support
Region Of Interest	Support (3)
Lens	2.8mm~12mm, MFZ
Angle Of View	Horizontal: 94°~35.7°
VIDEO	
Video Compression	H.265 / H.264
Resolution	4MP(2560×1440), 3MP(2304×1296), 1080P(1920×1080), 720P(1280×720), D1(704×576), CIF(352×288), 480×240
Frame Rate	Main stream: 4MP/3MP/1080P(1~25fps) Sub stream: 720P(1~12fps)/D1(1~25fps)/CIF (1~25fps) Third stream: D1/CIF/480x240 (1~25fps)
Bit Rate Control	CBR / VBR
Bit Rate	64 Kbps ~ 5 Mbps

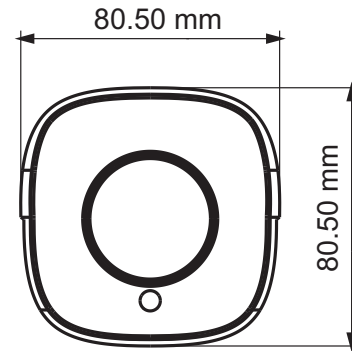
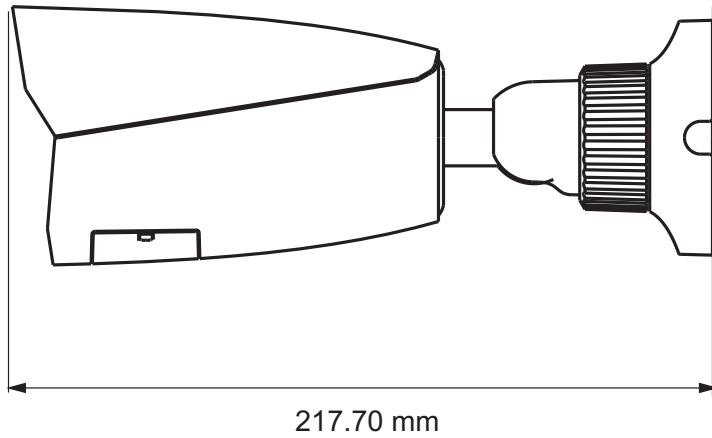
NETWORK	
Ethernet	10/100 Base-T Ethernet (RJ-45)
Supported Web Browsers	Internet Explorer 11.0+
Supported OS	Microsoft Windows 7/10
Interoperability	ONVIF Profile S, G
Protocols*	IPv4, IPv6, TCP/IP, HTTP, HTTPS, UPnP, RTSP, IGMP, SMTP, DHCP, NTP, DNS, DDNS, QoS, 802.1X, UDP, ICMP, ARP, TLS
Maximum Users Access	4 Users
Security	User account and password protection, HTTPS, IP Filter, TLS1.2, AES-128/256
Micro SD	Micro SD/SDHC/SDXC card slot (128GB)
ELECTRICAL	
Power Supply	DC12V, PoE (IEEE 802.3af) (Class 3)
Power Consumption	Max 9W
MECHANICAL	
Dimensions	217.7mm × 80.5mm × 80.5mm
Product Weight	0.65kg
Material	Metal housing with coating
ENVIRONMENTAL	
Operating Temperature	-30°C ~ 60°C (-22°F ~ 140°F)
Relative Humidity	Less than 90%, non-condensing
Ingress Protection	IP67
REGULATORY	
Certification	CE, FCC, RoHS

*Some development may be required in specific user cases to support some of these protocols in the field as they mature over time.

Honeywell

PERFORMANCE PRO SERIES HP4B2

DIMENSIONS



ORDERING

PART CODE NO	DESCRIPTION
HP4B2	4MP Network Bullet IR Camera, TDN, 1/2.7" CMOS, 2.8mm-12mm MFZ, H.265, PoE, IP67

For more information

<https://www.security.honeywell.com>

<https://honeywellbuildings.in>

Tel : +91 124 4975000

Email: HBT-Indiabuildings@honeywell.com

Honeywell HBT India Buildings

Unitech Trade Center, 5th Floor, Sector-43,
Block C, Sushant Lok Phase - I, Gurugram -
122 002

Haryana India

www.honeywell.com

© 2020 Honeywell International Inc.

HP4B2
PERFORMANCE PRO
SERIES

Honeywell