

HEI SERIES

HEIPTZ-5301W-IR

HEIPTZ-5321W-IR



*Images/Certifications/logo for illustration purpose only.

5MP 30x Zoom Explosion-Proof IP IR PTZ Camera

Honeywell's latest explosion-protected and flameproof PTZ network camera is a good fit for onshore, offshore, marine, and heavy industrial installations in hazardous and challenging environments. The camera features a 316L stainless steel housing certified for hazardous areas according to IECEx. The housing prevents any interior sparks or explosions from escaping and igniting the gases or dust in the surrounding air. The HEIPTZ-5301W-IR and HEIPTZ-5321W-IR camera provide extremely crisp video with up to 5 million effective pixels, 30x optical zoom, and True Day/Night WDR for continuous surveillance in both hazardous and safe area applications. This product complies with the Essential Health and Safety Requirements relating to the design and construction of products intended for use in potentially explosive atmospheres.

Explosion-Proof Certification

- IECEx certified with AISI 316L stainless steel construction
- Certified for use in Gas Zone 1 & 2 (Class IIA, IIB, IIC) and Dust Zone 21 & 22 (Class IIIA, IIIB, IIIC)
- Certified temperature for explosion-proof applications: -40°C to 60°C (-40°F to 140°F)
- M25×1.5 threaded hole for use of cable glands or conduit
- IP68 rating guarantees complete protection against harsh weather
- This product is Flameproof, Optical Radiation and Dust Ignition protection by enclosure.

Flexible Surveillance Solution

- 5MP 30fps, 30x optical zoom and P-Iris lens providing maximum flexibility to clearly view the target
- H.265, H.264 and MJPEG codec, triple stream support
- Support for unicast and multicast mode for streaming
- ONVIF Profile S, G and T compliant
- Supports Loitering, Intrusion, Tampering, SMD, Motion Detection analytics
- Contain no content or material from any companies or their subsidiaries prohibited under US National Defense Authorization Act (NDAA) Section 889 and can be used as part of video systems which comply with NDAA Section 889

FEATURES AND BENEFITS

- | | | | | |
|---|---|---|---|--|
| <ul style="list-style-type: none">• 5MP high resolution camera to capture more details• 1/2.8" progressive scan image sensor• Excellent low light performance with min. illumination of 0.005 lux Color | <ul style="list-style-type: none">• 5.3–159 mm, F1.6–F4.3, P-Iris, 30x optical zoom lens• Up to triple stream support• Support for Electronic image stabilizer (EIS)• True WDR: 130 dB | <ul style="list-style-type: none">• Multiple, selectable compression formats (H.265 HEVC/H.264/MJPEG)• Loitering, Intrusion, Tampering, SMD, Motion Detection• Tempered glass with sun shroud | <ul style="list-style-type: none">• Global language support with web GUI in 14 languages• NDAA compliant• 100~240V AC power input | <ul style="list-style-type: none">• Optional stream encryption – camera to Maxpro under AES256 providing secure data integrity and privacy• ONVIF Profile S, G and T compliant• Water resistant IP68 ingress protection rating |
|---|---|---|---|--|

Easy to Install and Use

- 100~240V AC power input
- Built-in heater
- Integrated wiper and washer control system operated from web client or preset
- 10 meters cable with options unarmoured RJ45 interface and armoured RJ45 and FC Fiber Optic interface.
- Remote configuration, motorized zoom adjustments and auto focus through web client

MARKET OPPORTUNITIES

The camera features stainless steel housing and offers 5MP high resolution image quality. They are ideally suited for video surveillance monitoring of onshore, offshore, marine, and heavy industrial environments, such as the oil and gas industries, as well as dusty environments, such as the paper and textile industries.

Honeywell

HEI Series Explosion-Proof IP IR PTZ Camera

Technical Specifications

OPERATIONAL	
VIDEO STANDARD	NTSC/PAL
SCANNING SYSTEM	Progressive
IMAGE SENSOR	1/2.8" CMOS
SENSOR SIZE (H×V)	5.184 x 3.888 mm
NUMBER OF PIXELS (H × V)	2592 x 1944
MINIMUM ILLUMINATION (COLOR/BW)	Color: 0.005 lux @F1.6 BW: 0 lux @F1.6 (IR ON)
S/N RATIO	50db
ELECTRONIC SHUTTER SPEED	1/1 to 1/30,000 sec
IR DISTANCE	200 Mtrs
IR LIGHT CONTROL	Smart IR (Auto/Manual)/OFF
IR LIGHT NUMBER	7
DAY/NIGHT	Auto (ICR) / Color / BW
BACKLIGHT COMPENSATION	WDR / BLC / HLC
WHITE BALANCE	Auto/Fixed Current/Manual
GAIN CONTROL	0~100%
WIDE DYNAMIC RANGE	130dB
NOISE REDUCTION	3D DNR
LENS	5.3 - 159mm, P-Iris, F1.6-F4.3
OPTICAL ZOOM	30x
DIGITAL ZOOM	16x
ELECTRONIC IMAGE STABILIZATION	Support
ANGLE OF VIEW (H X V X D)	H: 56.62° - 2.48°, V: 42.76° - 1.91°
PRIVACY MASKING	Off / On (up to 5 Areas)
DEFOG	Support
LOCAL STORAGE ¹	Support for MicroSD up to 256GB
ALARM INPUTS / OUTPUTS	5 Alarm In 2 Alarm Out (include 1 dedicated alarm out for washer control)

PTZ	
PAN SPEED	0.1° ~ 40°/s
PAN RANGE	0-360

TILT SPEED	0.1° ~ 30°/s
TILT RANGE	-90° ~ +90°
PAN TRAVEL	360° continuously
PRESET	400
PRESET ACCURACY	±0.1°
AUTO PAN SCAN	Support
TOUR	12
PATTERN	6
AUTO RESUME AFTER POWER FAILURE	Resume to Home position

VIDEO	
VIDEO COMPRESSION	H.265 HEVC/H.264/MJPEG, Smart Codec
RESOLUTION	1st:2592x1944/2592x1520/1920x1080/1280x720 @25/30fps 2nd:1920*1080/704*576(PAL)/704*480(NTSC)/640*480/352*288(PAL)/352*240(NTSC) @25/30fps 3rd:640*480/352*288(PAL)/352*240(NTSC)/320*240 @25/30fps
NUMBER OF VIDEO STREAMS	3
FRAME RATE MAIN STREAM	Max 30fps Max 15fps for encryption under HTTPS
FRAME RATE SECOND STREAM	Max 30fps Max 15fps for encryption under HTTPS
FRAME RATE THIRD STREAM	Max 30fps (Not available for encryption)
BIT RATE	100K~12Mbps (15K~2Mbps for encryption)

AUDIO	
AUDIO COMPRESSION	G.711a/G.711Mu
AUDIO STREAM	2-Way, Full duplex
AUDIO INTERFACE	Line In/Out

NETWORK	
ETHERNET	10 Base-T/100 Base-TX Ethernet (RJ-45) Optional FC Optical Fiber
SUPPORTED WEB BROWSERS	Chrome/Edge
SUPPORTED OS	Microsoft Windows 10
PROTOCOLS ²	IPv4, IPv6, TCP / IP, HTTP, HTTPS, RTSP / RTP / RTCP, IGMP / Multicast, SMTP, DHCP, NTP, DNS, QoS, SNMP, 802.1X, UDP, ICMP, ARP, TLS
INTEROPERABILITY	ONVIF Profile S/G/T

HEI Series Explosion-Proof IP IR PTZ Camera

TECHNICAL SPECIFICATIONS

MAXIMUM USERS ACCESS	10 Users
SECURITY	User account and password protection, HTTPS, IP Filter, Digest authentication, TLS1.2 only, Stream encryption, AES128 / 256, SSH / Telnet closed
LANGUAGES SUPPORTED	Arabic, Czech, Dutch, English, French, German, Italian, Japanese, Korean, Polish, Portuguese (Brazil), Russian, Spanish, Turkish
EVENTS / ANALYTICS	
VIDEO ANALYTICS	People counter, Multi Loitering, Intrusion, Tampering, SMD, Motion Detection
EVENT TYPE	Video motion detection, Alarm input, Recording notification, Tampering
EVENT LINKAGE	Event notification using digital output, Email and MicroSD card
ELECTRICAL	
POWER SUPPLY	100~240V AC, 50/60 Hz
POWER CONSUMPTION	Max 1.0 A
MECHANICAL	
DIMENSIONS (W X D X H)	530 x 300 x 425 mm
PRODUCT WEIGHT	43.5 kg
PACKAGE WEIGHT	47 kg
HOUSING	316L Stainless Steel
ENVIRONMENTAL	
OPERATING TEMPERATURE	T5 = -40°C ≤ Ta ≤ +60°C @ 45.4 W T6 = -40°C ≤ Ta ≤ +60°C @ 36.5 W
RELATIVE HUMIDITY	Upto 95%, non-condensing
INGRESS PROTECTION	IP68
HEATER	Built-in
WIPER	Supported
WASHER CONTROL	Supported

REGULATORY	
HAZARDOUS CERTIFICATIONS	IECEx Ex db IIC T6...T5 Gb IECEx Ex tb IIIC T80°C...T95°C Db CCoE
STANDARDS	IEC 60079-0:2017/COR1:2020 IEC 60079-0:2017/ISH1:2019 IEC 60079-0:2017/ISH2:2019 IEC 60079-1:2014/ISH1:2020 IEC 60079-1:2014/COR1:2018 IEC 60079-31:2013 IEC 60079-28:2015/ISH1:2019
ENVIRONMENTAL CERTIFICATIONS	IEC 60068-2-1 (Cold test) IEC 60068-2-2 (Dry Heat Test) IEC 60068-2-30 (Damp Heat Test) QM333:2010 (Corrosion Salt Test) IEC 60068-2-14 (Change in Temperature Test) QM333 (Vibration Test) IEC 61373:2010 (Shock Test)
COUNTRY OF ORIGIN	India

¹ Micro SD Card is optional and pre-fitted card from factory only. Hence need to be ordered along with camera.

² Some development may be required in specific user cases to support some of these protocols in the field as they mature over time.

SYSTEM INTEGRATION*	
PRO-WATCH NVR	Up to 256 IP channels RAID5 / 6 Enterprise NVR
PRO-WATCH NVR SOFTWARE	Up to 256 IP channels Recording Software
MAXPRO NVR PE	Up to 128 IP channels RAID5 / 6 Enterprise NVR
MAXPRO NVR SE	Up to 64 IP channels System NVR
MAXPRO NVR XE	Up to 16 IP channels System NVR
MAXPRO NVR SOFTWARE	Up to 128 IP channels Recording Software
HONEYWELL DVM	Support with Honeywell DVM R710.1 (and later maintenance releases)

*Refer to the NVR integration matrix for more information.

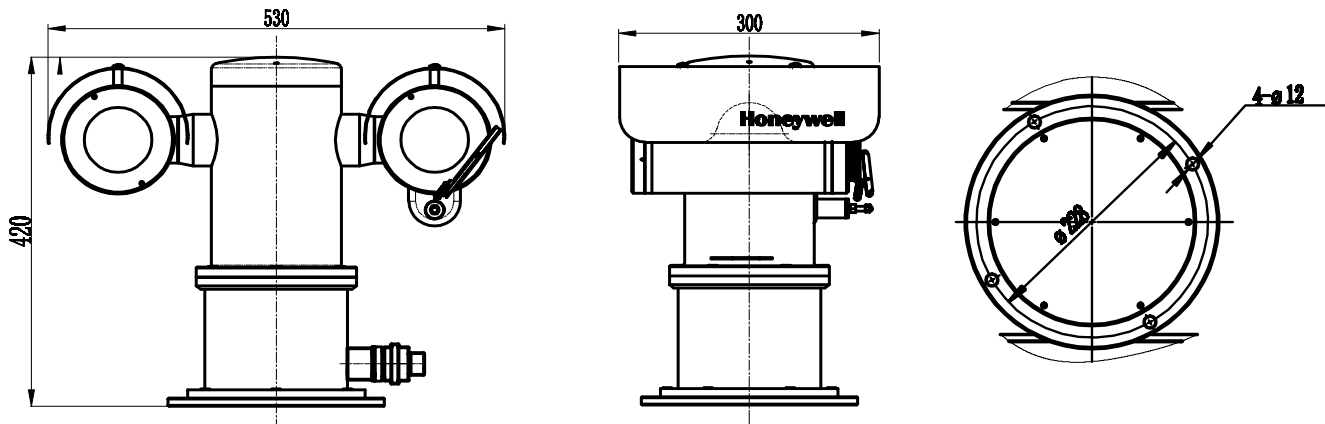
OPTIONAL MOUNTS AND ACCESSORIES	
HEPTZE-WM	316L Stainless Steel Wall Mount Bracket for Exproof PTZ camera
HEI-SD	MicroSD Card for Exproof camera



HEPTZE-WM

HEI Series Explosion-Proof IP IR PTZ Camera

DIMENSIONS



HEI Series Explosion-Proof IP IR PTZ Camera

ORDERING

PART CODE NO	DESCRIPTION
HEIPTZ-5301W-IR	WDR 5MP IR Exproof PTZ, 30x Zoom, Wiper, RJ45 Interface, Unarmoured cable 10 Mtrs, 100~240 VAC
HEIPTZ-5321W-IR	WDR 5MP IR Exproof PTZ, 30x Zoom, Wiper, RJ45 and FC Optical Fiber Interface, Armoured cable 10 Mtrs, 100~240 VAC

For more information,

<https://honeywellbuildings.in>

Tel : +91 124 4975000

Email: HBT-Indiabuildings@honeywell.com

Honeywell HBT India Buildings

Unitech Trade Center, 5th Floor, Sector-43,
Block C, Sushant Lok Phase - I,
Gurgaon - 122 002. Haryana India

<https://www.honeywellbuildings.in/>



HEVC^{Advance}

ONVIF and the ONVIF logo are trademarks of ONVIF Inc. IECEx logo is a trademark of IECEx. HEVC Advance logo is a trademark of HEVC Advance.

Honeywell reserves the right, without notification, to make changes in product design or specifications.

© 2022 Honeywell International Inc.

**HEI Series Explosion-Proof IP IR
PTZ Camera**

Honeywell