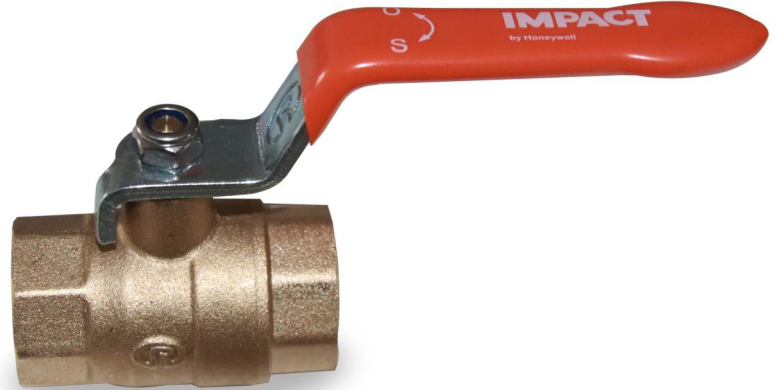


FORGED BRASS BALL VALVE

| Pressure Nominal - PN25

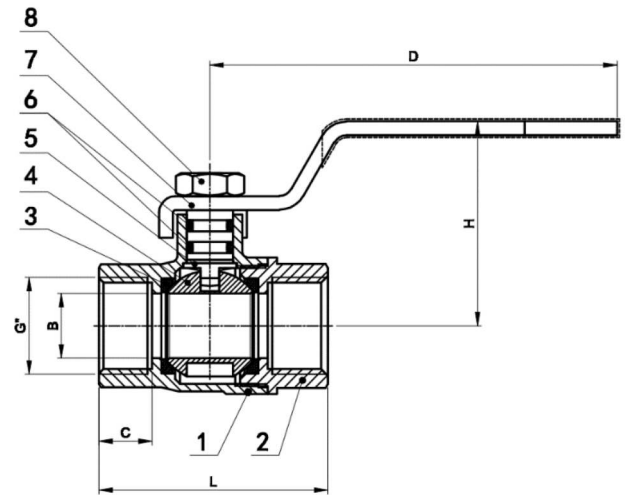
SALIENT FEATURES

- Full Bore, Two-Piece Design
- Quarter Turn, Lever Operated
- Chrome Plated Ball
- Screwed Female Ends to BSP



SPECIFICATIONS

DESCRIPTION	SPECIFICATIONS
Sizes	DN15 – DN50
Pressure Nominal	PN25
Working Temperature	0 °C ~ 95 °C
Leakage Rate	No visible leakage
Medium Type	Water
Shell Test pressure (Hydrostatic)	3.75 MPa (37.5Bar)
Seal Test (Air)	0.6 MPa (6 Bar)



PART DESCRIPTION

PT. NO.	PART NAME	MATERIAL	SPECIFICATION	QTY.
1	BODY	BRASS	CW617N	1
2	BONNET	BRASS	CW617N	1
3	SEAT RINGS	PTFE	-	2
4	BALL	BRASS	HPb57-3	1
5	SPINDLE	BRASS	CW617N	1
6	O'RING	EPDM	-	2
7	HANDLE	CARBON STEEL	ZINC PLATED CS	1
8	NUT	STAINLESS STEEL	SS 304	1

OUTSIDE DIMENSION (MM)

SIZE	L	C	B	H	D
DN15 (1/2")	49.5	11.5	14	44.2	88
DN20 (3/4")	57.5	13.5	19	47.7	88
DN25 (1")	67.5	15.5	24	53.4	103
DN32 (1¼")	78	16	31	60.4	116
DN40 (1½")	85.5	16.5	38	70.3	135
DN50 (2")	102	18	47	79.9	156

For more information,

www.honeywellbuildings.in

Call: 000-8000-502167

Email: enquiry.mms@honeywell.com,

bmsindiatechsupport@honeywell.com

Honeywell HBT India Buildings

Unitech Trade Center, 5th Floor, Sector-43,

Block C, Sushant Lok Phase - I,

Gurgaon - 122 002.

© 2022 Honeywell International Inc.

IMPACT

by Honeywell