

20 SERIES HC20WB4R2



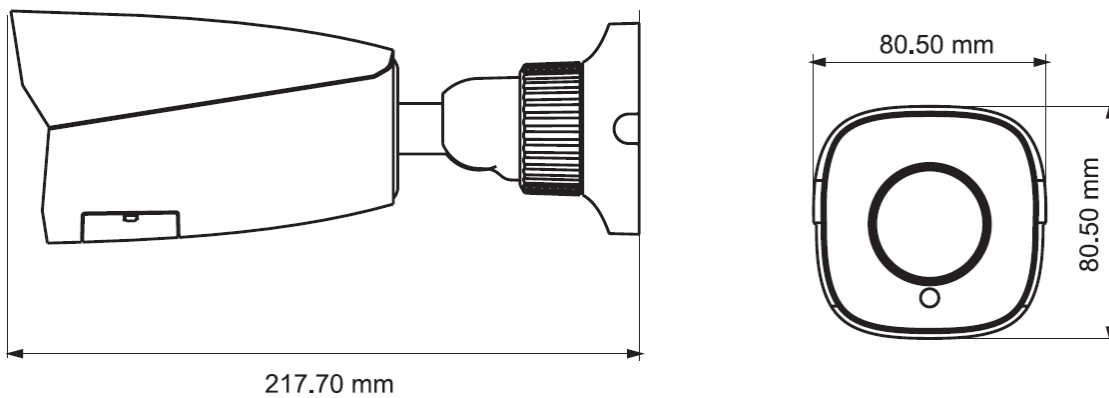
4MP IP WDR IR MFZ Bullet Camera

| OPERATIONAL | | AUDIO | |
|---------------------------------|--|--------------------------|---|
| Video Standard | NTSC/PAL | Audio Compression | G.711A/G.711U |
| Scanning System | Progressive | Audio Stream | 1-way |
| Image Sensor | 1/3" CMOS | Audio Interface | 1CH audio input |
| Number Of Pixels (H x V) | 2560x1440 | NETWORK | |
| Minimum Illumination (Color/BW) | 0.005 lux @F1.6, AGC ON; 0 lux with IR | Ethernet | 10 Base-T/100 Base-TX Ethernet (RJ-45) |
| S/N Ratio | ≥50db | Supported Web Browsers | Chrome/Edge |
| Electronic Shutter Speed | 1/2s ~ 1/100,000s | Supported OS | Microsoft Windows 10 |
| IR Distance | 20 ~ 30 m | Protocols* | IPv4, IPv6, TCP / IP, UDP, DHCP, NTP, RTSP, RTP, RTCP, PPPoE, DNS, DDNS, SMTP, FTP, 802.1x, SNMP, UPnP, HTTP, HTTPS, QoS, IGMP / Multicast, ICMP, ARP, TLS |
| IR Light Control | Smart IR (Auto/Manual)/OFF | Interoperability | ONVIF Profile G/S/T |
| Day/Night | ICR | Maximum Users Access | 3 Users |
| Backlight Compensation | WDR, HLC, BLC | Security | User account and password protection, HTTPS, IP Filter, Digest authentication, TLS1.2 only, AES128 / 256, SSH / Telnet closed |
| White Balance | Auto/Indoor/Outdoor/Manual | Languages Supported | English, Italian, Portuguese, Russian, Spanish(Mexico), Dutch, French, German, Polish, Japanese, Chinese, Korean |
| Gain Control | Auto/Manual | EVENTS / ANALYTICS | |
| Wide Dynamic Range | 120dB | Built-in Video Analytics | Motion Detection, Tampering, Intrusion, Object, Video Exception (scene change, video blur and video cast detection), line crossing detection and region intrusion detection |
| Noise Reduction | 3D DNR | Region Of Interest | 8 |
| Lens | 2.8~12mm@ F1.4 | ELECTRICAL | |
| Angle Of View | H:92°~31°, V:48°~17.2° | Power Supply | 12VDC, PoE (IEEE 802.3af) (Class 3) |
| Privacy Masking | Off / On (4 Areas) | Power Consumption (Max) | MAX 8W |
| Local Storage | Micro SD (up to 256 GB) | MECHANICAL | |
| VIDEO | | Dimensions (D x D x H) | Ø 21.7.8 mm × 80.5 mm × 80.3 mm (Ø 8.57" × 3.16" × 3.16") |
| Video Compression | Main stream: H.265 / H.264 Sub stream: H.265 / H.264 / MJPEG Third stream: H.265 / H.264 / MJPEG | Product Weight | 0.66 kg (1.45lb) |
| Resolution | 4MP (2560 × 1440), 3MP (2304 × 1296), 1080P (1920 × 1080), 720P (1280 × 720), D1, 480 × 240, CIF | Package Weight | 0.76 kg (1.67lb) |
| Number of Video Streams | 3 | Body Material | Metal housing |
| Frame Rate Main Stream | 60Hz: 4MP/3MP/1080P/720P(1~30fps); 50Hz: 4MP/3MP/1080P/720P(1~25fps) | ENVIRONMENTAL | |
| Frame Rate Second Stream | 60Hz: 720P/D1/CIF (1~30fps); 50Hz: 720P/D1/CIF (1~25fps) | Operating Temperature | -30 °C ~ 60 °C (-22°F~140°F) |
| Frame Rate Third Stream | 60Hz: D1/480× 240/CIF (1~30fps); 50Hz: D1/480× 240/CIF(1~25fps) | Relative Humidity | Less than 90% (non-condensing) |
| Bit Rate | 64 Kbps ~ 8 Mbps | | |

| | | | |
|--------------------|-------------------------------|--|--------------------------------|
| Ingress Protection | IP67 | SYSTEM COMPATIBILITY | |
| Impact Resistance | IK10 | 20 Series NVR | Integration with 20 Series NVR |
| REGULATORY | | 35 Series NVR | Integration with 35 Series NVR |
| Emissions | EN 55032, FCC PART 15 | *Refer to the NVR integration matrix for more information. | |
| Immunity | EN 55035 | | |
| Safety | IEC 60950-1, IS 13252(Part 1) | | |
| RoHS | IEC 62321 | | |

20 SERIES 4MP IP WDR IR MFZ BULLET CAMERA

DIMENSIONS



| ORDERING | |
|-----------------|--|
| HC20WB4R2 | 4 MP IR MFZ Bullet Camera, WDR 120dB, 2.7-13.5 mm, PoE, DC12V, Audio In, IK10 Casing |

For more information,

www.honeywellbuildings.in

Call: 000-8000-502167

Email: HBT-IndiaBuildings@Honeywell.com

Honeywell HBT India Buildings

Unitech Trade Center, 5th Floor, Sector-43,

Block C, Sushant Lok Phase - I,

Gurgaon - 122 002.



ONVIF and the ONVIF logo are trademarks of ONVIF Inc. HEVC Advance logo is a trademark of HEVC Advance. Honeywell reserves the right, without notification, to make changes in product design or specifications.

HC20WB4R2 | 01 | 02/23
© 2023 Honeywell International Inc.

**THE
FUTURE
IS
WHAT
WE
MAKE IT**

Honeywell