

I-HIPD2PI-MV



2 MP IP IR Motorized Vandal Dome Camera

The IMPACT by Honeywell I-HIPD2PI-MV model is a robust 2MP IP IR Motorized Vandal Dome Camera designed to deliver high-quality surveillance in various environments. It features a motorized lens providing flexibility in adjusting the field of view. Equipped with Smart IR technology, the camera offers a range of up to 30 meters for clear nighttime monitoring.



FEATURES AND BENEFITS



**Up to 1920x1080
@60fps**



**Smart IR,
IR Distance Up
to 30 Mts**



Metal



**Slot Up to
512GB**



**Motorized
Lens 2.8-12mm**



**H.265+/H.265/H.264
Video Compressions**



IP67



**Min. illumination Color
0.002lux @ F1.6**

SPECIFICATIONS

VIDEO	
Imaging Device	1/2.8"
Effective Pixels	2MP 1920(H)x1080(V)
Scanning System	Progressive CMOS
Min. Illumination	Color 0.002lux @ F1.6(AGC ON); B/W 0 lux @ IR ON
LENS TYPE	
Focal Length (Zoom Ratio)	2.8-12 mm
Max. Aperture Ratio	F No. 1.8(W) ~ 3.3(T)
Angular Field of View	Horizontal: 101 ~ 33°, Vertical: 52 ~ 18°, Diagonal: 124 ~ 37°
Min. Object Distance	1.2m (W/T)
Lens Type	Motorized(Ø14)
DORI	(2.8mm) D-38.6m, O-15.4m, R-7.7m, I-3.9m (12mm) D-165.5m, O-66.2m, R-33.1m, I-16.6m

OPERATIONAL	
IR Viewable Length	Up to 30m
Camera Title	On/Off
Day & Night	IR cut filter with auto switch (Day/Night/Auto/Image/Schedule)
Backlight Compensation	Off/On (5 Zone)
Wide Dynamic Range	True WDR
Digital Noise Reduction	3D DNR
Motion Detection	Off/On (8 Level)
Privacy Masking	Off/On (4 Zone, Rectangle)
Gain Control	Auto
White Balance	Auto / Manual
Electronic Shutter Speed	1/5 ~ 1/20000s
On-Board Storage	Micro SD slot, up to 51.2GB
Alarm	1 input, 1 output
Audio	1 input (RCA), 1 output (RCA)
Hardware Reset	Yes
Smart Feature	Face Recognition (FR), Human & Vehicle Detection (PD & VD), Perimeter Intrusion Detection (PID), Line Crossing Detection (LCD), Cross Counting (CC), Stationary Object Detection (SOD), Heat Map (HM), Crowd Density Detection (CD), Queue Length Detection (QD), Rare Sound Detection (RSD)

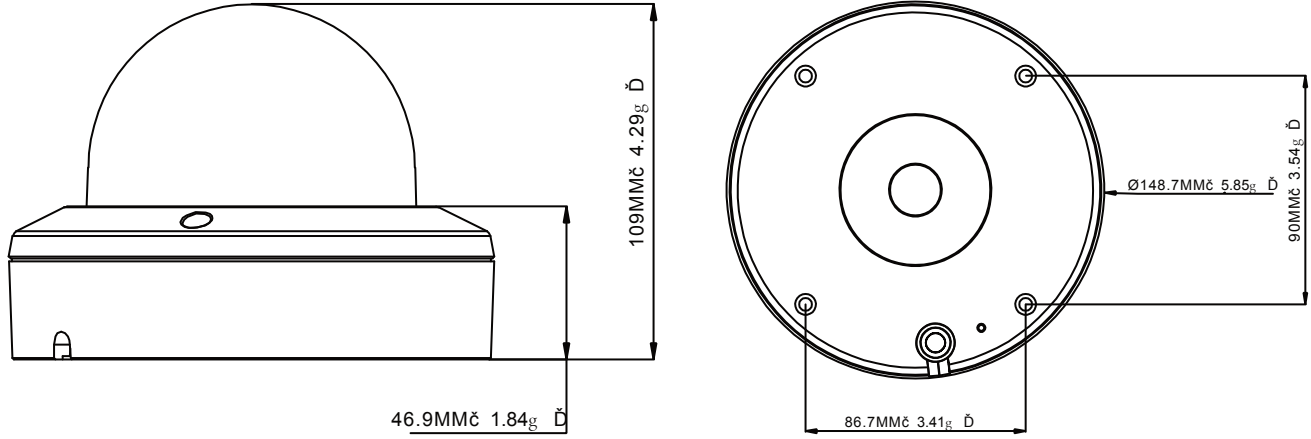
NETWORK	
Ethernet	RJ45(10/100BASE-T)
Video Compression Format	H.265+/H.265/H.264
Resolution	Main stream @60fps 1080P (1920x1080), 960P (1280x960), 720P (1280x720) Sub stream @30fps 720P (1280x720), VGA (640x480), QVGA (320x240) Third stream @30fps VGA (640x480), QVGA (320x240)
Video Quality Adjustment	256Kbps ~ 8Mbps
Bitrate control method	CBR/VBR
IP	IPv6
Streaming Capability	Triple-Stream(Main/Sub/Third)
Protocol	TCP/IP, HTTP, HTTPS, DHCP, RTP/RTSP, SMTP, NTP, UPnP, SNMP, SFTP
Web browser	IE10/11 Safari, V12.1 above, Firefox V.52 above, Google chrome V.57 above, Edge V.79 above
Security	IP address filter; complicated password; Authenticated username and password
Streaming Method	Unicast/Multicast
Application Programming Interface	ONVIF (Profile S/G/T/M)

ELECTRICAL	
Input Voltage / Current	D12V/POE(IEEE802.3af)
Power Consumption	DC12V : max 3.9W: POE(48V): max 5.7W

MECHANICAL	
Material	Metal
Dimensions (HxWxD)	150*109mm
Weight	972g

ENVIRONMENTAL	
Operating Conditions	-35~+60°C/less than ≤ 95% RH
Ingress Protection	IP 67, IK 10
Certificate	CE,FCC,ROHS,BIS,ISO 9001,Essential Requirement (ER) by STQC

DIMENSION



For more information,

<https://honeywellbuildings.in>

Tel: +91 124 4975000

Email: BuildingAutomation.SecurityIndia@honeywell.com

Honeywell Building Automation

Unitech Trade Center, 5th Floor, Sector-43,
Block C, Sushant Lok Phase - I,
Gurgaon - 122 002, Haryana, India
<https://www.honeywellbuildings.in/>

I-HIPD2PI-MV | 01 | 04/26
© 2026 Honeywell International Inc.

IMPACT
by Honeywell