

H4W8PR2 NETWORK WDR 8MP IR RUGGED MINI DOME CAMERA

EVENT TYPE	No S-card S-card error a aci admin Ne or disconnec ion P conflic lle al access
-------------------	--

ELECTRICAL	
POWER SUPPL	

MECHANICAL	
DIMENSIONS	

CONSTRUCTION	
---------------------	--

PACKAGING WEIGHT	ro . .66K (1.46l)
-------------------------	--------------------

RECOMMENDED ACCESSORIES

SYSTEM COMPATIBILITY	
HEN*4	8/16/32/64-channel Performance Series 4K NVRs (H.264 and H.265)
HEN*3	4/8/16/32-channel Performance Series 4K NVRs (H.264 and H.265)

ENVIRONMENTAL

RELATIVITY	
-------------------	--

ATTENUE	K1
----------------	----






REGULATORY

U TY	
-------------	--

RO	
-----------	--

* Some development may be required in specific user cases to support some of these protocols in the field as they mature over time.

MOUNTS AND ACCESSORIES

H A PM		P M A
H A IC		I C
H A		
H A C		C M P M
H A C E		C M E H A C

H4W8PR2 NETWORK WDR 8MP IR RUGGED MINI DOME CAMERA

MOUNTS AND ACCESSORIES

HQA-RS



Rain Shield Bracket

HQA-PK**



Pendant Mount Cap

HQA-WK



Wall Mount Bracket

** The HQA-BB4 must be used when installing the camera to HQA-PM2, vice versa.

The HQA-PK must be used when installing the camera to HQA-CB.

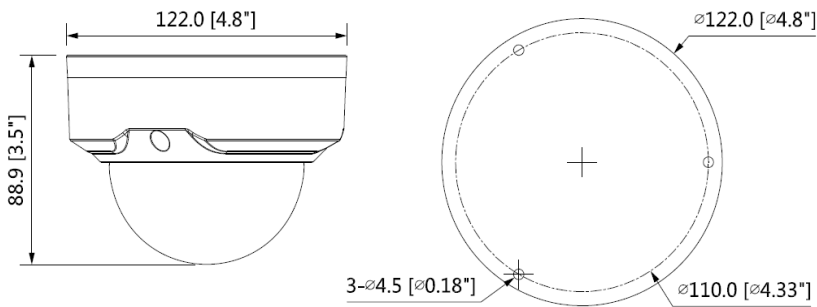
The HQA-CBE must be used with HQA-CB together.

ORDERING

H4W8PR2

Network WDR 8MP IR Rugged Mini Dome Camera, 1/2.8" CMOS, 3.7mm~11mm Motorized, 2 IR LEDs, PoE, IP66, H.265/H.264/Smart Codec

DIMENSIONS



For more information,

<https://honeywellbuildings.in>

Call: 1-800-103-0339

Email: HBT-Indiabuildings@honeywell.com

Honeywell HBT India Buildings

Unitech Trade Center, 5th Floor, Sector-43,
Block C, Sushant Lok Phase - I,
Gurgaon - 122 002

www.honeywell.com

© 2020 Honeywell International Inc.

H4W8PR2
NETWORK WDR 8MP IR
MINI DOME CAMERA

Honeywell