

60 SERIES HC60W34R2L



4MP Network TDN WDR IR Indoor Dome Camera



OPERATIONAL	
Video Standard	NTSC / PAL
Scanning System	Progressive
Image Sensor	1 / 2.8" CMOS
Sensor Size (H x V)	5.18 x 3.89 mm
Number Of Pixels (H x V)	2560 x 1440 (4 MP)
Min. illumination (Color / B / W)	0.04 Lux @F1.4, B / W: 0Lux @F1.4(IR on)
S / N Ratio	60 dB
Electronic Shutter Speed	1 / 30 ~ 1 / 32000
IR Distance	Up to 30 m (98 ft)
IR Light Control	Smart IR (Auto / Manual) / OFF, External IR trigger by output
IR Light Number	4
Removable IR-Cut Filter	Yes
Day / Night	Auto / Day / Night / Synchronize with digital input / Schedule
Backlight Compensation	WDR, HLC
White Balance	Auto / Fixed Current / Manual
Gain Control	0-100 %
Wide Dynamic Range	120 dB
Noise Reduction	3D DNR
Lens	2.7 mm ~ 13.5 mm, MFZ, DC-IRIS, F1.4 ~ F2.8
Angle Of View (H x V)	H: 100° ~ 30°, V: 72° ~ 23°
Privacy Masking	Off / On (5 Areas)
Defog	Support
Encryption Chipset	Built-in FIPS encryption Chipset
Local Storage	Micro SD / SDHC / SDXC card slot (up to 256GB), SD Card encryption
Micro USB	Support Wifi Dongle for configuration
Alarm Inputs / Outputs	2 IN / 1
VIDEO	
Video Compression	H.265 HEVC / H.264 / MJPEG, Smart Codec
Resolution (16 / 9)	2560 x 1440 / 1920 x 1080 / 1600 x 904 / 1360 x 768 / 1280 x 720 / 640 x 360
Number of Video Streams	3
Frame Rate Main Stream	2560 x 1440 / 1920 x 1080 / 1360 x 768 / 1280 x 720 / 640 x 360 (1-25 / 30fps), 1920 x 1080 / 1600 x 904 / 1360 x 768 / 1280 x 720 / 640 x 360 (1-50 / 60fps)
Frame Rate Second Stream	2560 x 1440 / 1920 x 1080 / 1360 x 768 / 1280 x 720 / 640 x 360 (1-25 / 30fps), 1920 x 1080 / 1600 x 904 / 1360 x 768 / 1280 x 720 / 640 x 360 (1-50 / 60fps), 2560 x 1440(1-50fps)
Frame Rate Third Stream	1280 x 960 / 640 x 480 (1-25 / 30fps), 1280 x 720 / 640 x 360 (1-50 / 60fps)
Bit Rate	20 K ~ 80 Mbps
AUDIO	
Audio Compression	G.711A / G.711MU / G.726
Audio Stream	Full duplex, Simplex
Audio Interface	Line In / Out, Built-in Microphone
NETWORK	

Ethernet	10 Base-T / 100 Base-TX Ethernet (RJ-45)
Supported Web Browsers	Chrome 79.0 / Internet Explorer 11
Supported OS	Microsoft Windows 10
Protocols*	IPv4, IPv6, TCP / IP, HTTP, HTTPS, UPnP, RTSP / RTP / RTCP, IGMP / Multicast, SMTP, DHCP, NTP, DNS, DDNS, CoS, QoS, SNMP, 802.1X, UDP, ICMP, ARP, TLS
Interoperability	ONVIF Profile G / S
Maximum Users Access	10 Users
Security	User account and password protection, HTTPS, IP Filter, Digest authentication, TLS1.2 only, Stream encryption, AES128 / 256, SSH / Telnet closed, PCIDSS compliance, FIPS Chipset Built-In
Languages Supported	English, French, German, Italian, Japanese, Portuguese, Russian, Spanish, Traditional Chinese
EVENTS / ANALYTICS	
Video Analytics	Intrusion, loiter, line crossing, unattended object, missing object, face detection (Only for HC60W34R2)
Event type	Video motion detection, Periodically, Alarm input, System boot, Recording notification, Camera tampering detection
Event linkage	Event notification using digital output, HTTP, Email and MicroSD card
Region Of Interest	5
ELECTRICAL	
Power Supply	12 VDC / 24 VAC (50 / 60 Hz), PoE (IEEE 802.3 af, Class 0)
Power Consumption	12.95W
MECHANICAL	
Dimensions (D x D x H)	126mm x 126mm x 122mm (4.96" x 4.96" x 4.8")
Dome diameter	91mm (3.58")
Product Weight	0.58kg (1.28lb)
Package Weight	1.14kg (2.51lb)
Material	Metal (die casting aluminum with liquid painting)
Color	RAL 120-1 (Lyric White)
ENVIRONMENTAL	
Operating Temperature	Starting Temperature: 0 °C ~ 60 °C (32°F ~ 140 °F) Working Temperature: -10 °C ~ 60 °C (14 °F ~ 140 °F)
Relative Humidity	Less than 90 %, non-condensing
Ingress Protection	IP 52
Impact Resistance	IK 10 (bubble only)
REGULATORY	
Emissions	FCC PART 15, CE (EN 55032)
Immunity	CE (EN 50130-4)
Safety	UL LISTED TO UL / CSA 62368-1, CE (EN 62368-1)
RoHS	CE (EN 50581), EAC (TR EAEU 037 / 2016), UAE (Cabinet Decree No.10 of 2017)
Country of Origin	Taiwan

Honeywell

60 SERIES 4MP NETWORK TDN WDR IR INDOOR DOME CAMERA

SYSTEM COMPATIBILITY	
Pro-Watch NVR	Up to 256 IP channels RAID5 / 6 Enterprise NVR
MAXPRO NVR PE	Up to 128 IP channels RAID5 / 6 Enterprise NVR
MAXPRO NVR SE	Up to 64 IP channels System NVR
MAXPRO NVR XE	Up to 16 IP channels System NVR
MAXPRO NVR SOFTWARE	Up to 128 IP channels Recording Software
ADPRO NVR FASTTRACE 2E	Up to 32 IP channels with up to 32 VA channels NVRs
ADPRO NVR iFT-E	Up to 32 IP channels with up to 32 VA channels NVRs
ADPRO NVR iFT	Up to 32 IP channels or 16 IP channels with up to 16 VA channels NVRs
ADPRO NVR eFT	Up to 16 IP channels or 8 IP channels with up to 8 VA channels NVRs
ADPRO NVR iFT GATEWAY	4 IP channels + 4 VA channels
HEN*4	8 / 16 / 32 / 64-channel Performance Series NVRs (H.264 and H.265)
Honeywell DVM	Supported with Honeywell DVM R700 , DVM R620
30 SERIES NVR	Integration with 30 Series NVR

OPTIONAL MOUNTS AND ACCESSORIES	
HD3-MK2	Wall Mount Bracket
HA60PMC3	Flush mount adaptor for 3 inch dome , black
HD5-MK2	In Ceiling Mount Bracket
HD5CBL / HD5CWH	In Ceiling Mount Bracket
HD5TBL / HD5TWH	In Ceiling Mount Bracket
4S BOX	4S Box (Depth no less than 2-1 / 8", need to purchase from market)
HA60WLM3	Wall mount bracket for 3 inch dome, white
HLR1001	IP over Coax Converter
HA60CB3	Replacement Dome, 60 series indoor bubble (Clear)
HA60SB3	Replacement Dome, 60 series indoor bubble (Smoke)
HA60WIF	Wifi dongle and USB adapter for camera configuration
HA60ICK	Indoor dome in ceiling mount kit



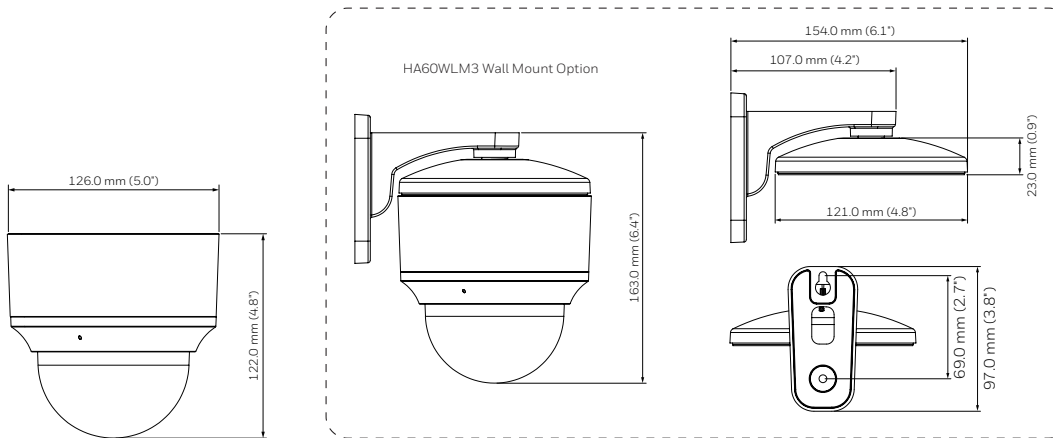
Learn more
about 60 Series
accessories

ORDERING

HC60W34R2L

4MP Network Indoor Dome Camera, WDR 120dB, 1 / 2.8" CMOS, 2.7-13.5 mm MFZ, 4 IR LEDs, PoE, H.265 HEVC Smart Codec, IP52, Built-in Micro- phone, White, w / o VA license

DIMENSIONS



For more information,
<https://honeywellbuildings.in>
Call: 1-800-103-0339
Email: HBT-Indiabuildings@honeywell.com

Honeywell HBT India Buildings
Unitech Trade Center, 5th Floor, Sector-43,
Block C, Sushant Lok Phase - I,
Gurgaon - 122 002

www.honeywell.com



ONVIF and the ONVIF logo are trademarks of ONVIF Inc.
HEVC Advance logo is a trademark of HEVC Advance
Honeywell reserves the right, without notification, to
make changes in product design or specifications.

HSV-HC60W35Rx-01-US(0620)DS-Y
© 2020 Honeywell International Inc.

60 SERIES
HC60W34R2L

Honeywell